

ARCD

Suspended

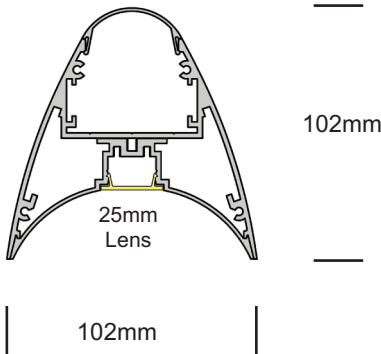


ARCD

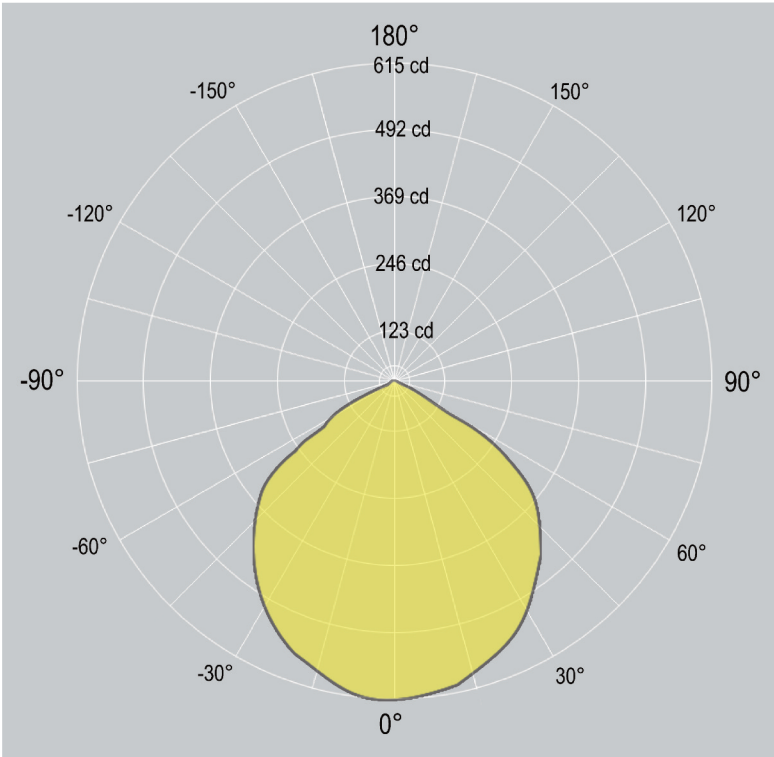
Suspended

LIGHT FORMS

Dimensions



Distribution

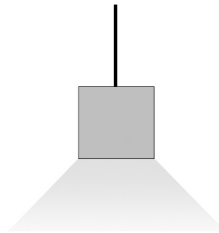


1. Base Model

ARCD

Suspended

ARCD
Suspended Direct



2. Run Length

Enter total linear length, (example: 6M)

3. Lamping

STD - **xxxxK** (example: STD-4000K)

Standard Output, LED 20 W/M, 1500 delivered lm/M, , 62 lm/W @ 4000K

HI - **xxxxK** (example: HI-4000K)

High Output, LED 30 W/M, 2100 delivered lm/M, 59 lm/W @ 4000K

CCT: 3000K 3500K 4000K Option: 2700K 5000K 5700K 6500K

CV - **xxxxK**

Additional LED Options

Constant Voltage (for custom lengths) - 12Vdc/24Vdc

Contact factory for detail

TW

Tunable White (2700K - 6500K)

Contact factory for detail

RGBW - **xxxxK**

Standard Output - RGB+WHITE - 12Vdc/24Vdc

Contact factory for detail

4. Driver

0/1-10V

0/1-10V dimming

DALI

DALI dimming

DMX

DMX dimming

NONDIM

Non-dimmable

5. Finish

AL

Standard, natural aluminum

BK

Black powdercoat

WH

White powdercoat

CUSTOM

Specify Custom Color

6. Additional options

EM

1.5 hour Emergency Kit

MS

Motion sensor

OTHER

Contact Factory

ARCD

Suspended

LIGHT FORMS

Housing

100% recyclable, extruded architectural grade T6063 aluminum

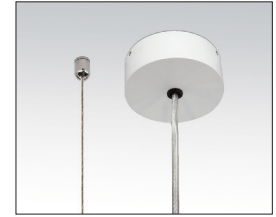
Emergency

Luminaires can be wired for emergency circuit and/or emergency battery backup. Consult factory for options.

Finish

Standard finish is "Ultimate" aluminum - a smooth, clean and durable finish achieved from a deep-etch and two step clear anodizing process.

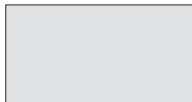
White, Black, Bronze or custom powdercoat options are also available.



Suspension & Power



WH - WHITE



AL - ALUMINIM



Cusom/____

Default canopy finish is to match fitting color, unless otherwise specified



BK - BLACK



ISO 9001:2015

China

Unit 3, Building A
No. 9 Phoenix Road
Torch Development Area
Zhongshan City
Guangdong China 528437

T +86 760 899 370 38
F +86 760 899 370 39
E ckirin@lightforms.com.cn

UK

Unit 7C Boeing Way
International Trading Estate
Middlesex
UB2 5LB

T +44 (0)20 8571 3785
F +44 (0)20 8090 3755
E ask@lightforms.com

India

353/2 Dr Hira Singh Road
Civil Lines
Ludhiana 141001
Punjab, India

T +91 98 7280 0488
E ajay@lightforms.com

Light Forms

Architectural Lighting
www.lightforms.com

Registered in England
No. 6750892
Registered Address
Unit 7C Boeing Way
International Trading Centre
Middlesex, UB2 5LB