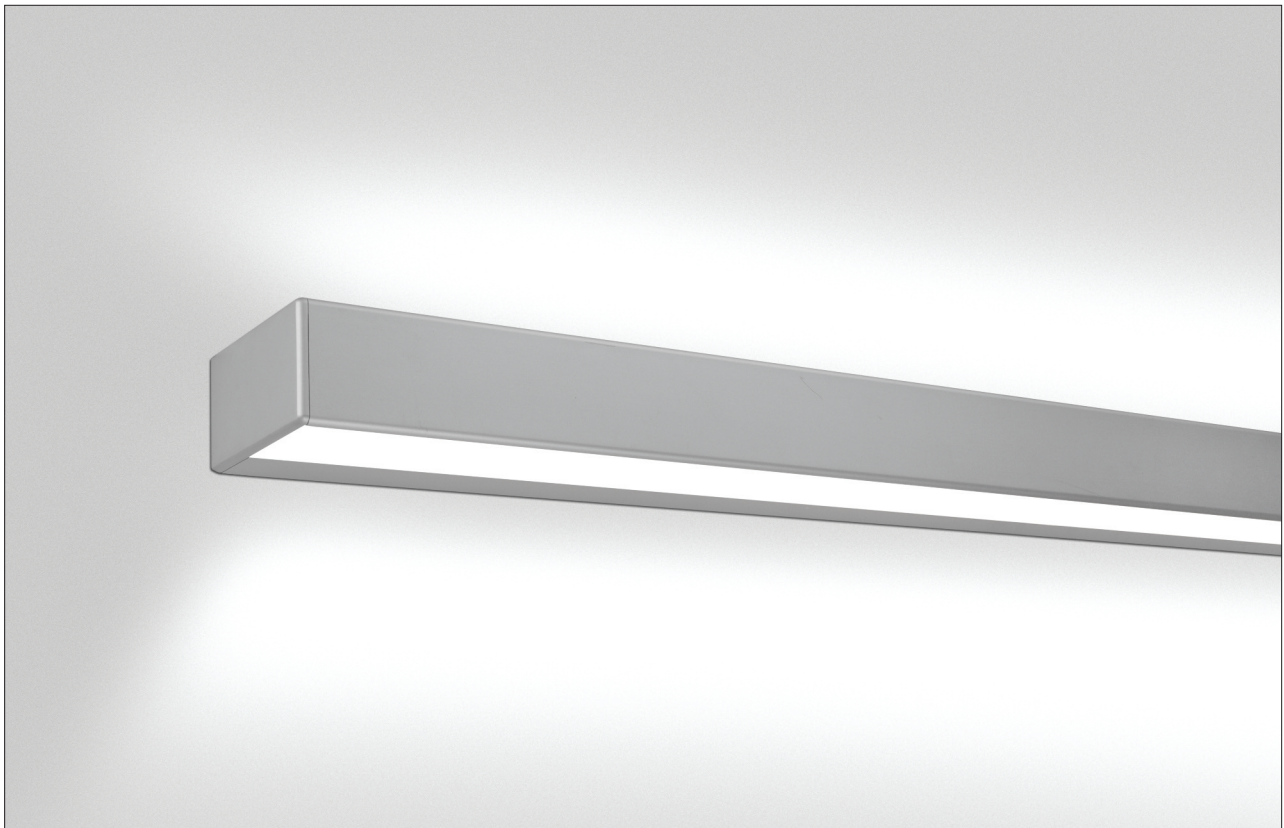


LIGHTPLANE LINEAR WALL 2.5 UU LPLW2.5UU

Indirect / Direct or One Direction

Wall Mounted

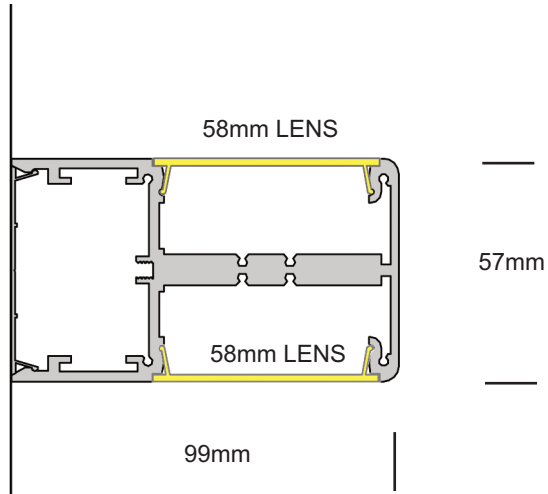


LIGHTPLANE LINEAR WALL 2.5 UU — LPLW2.5UU

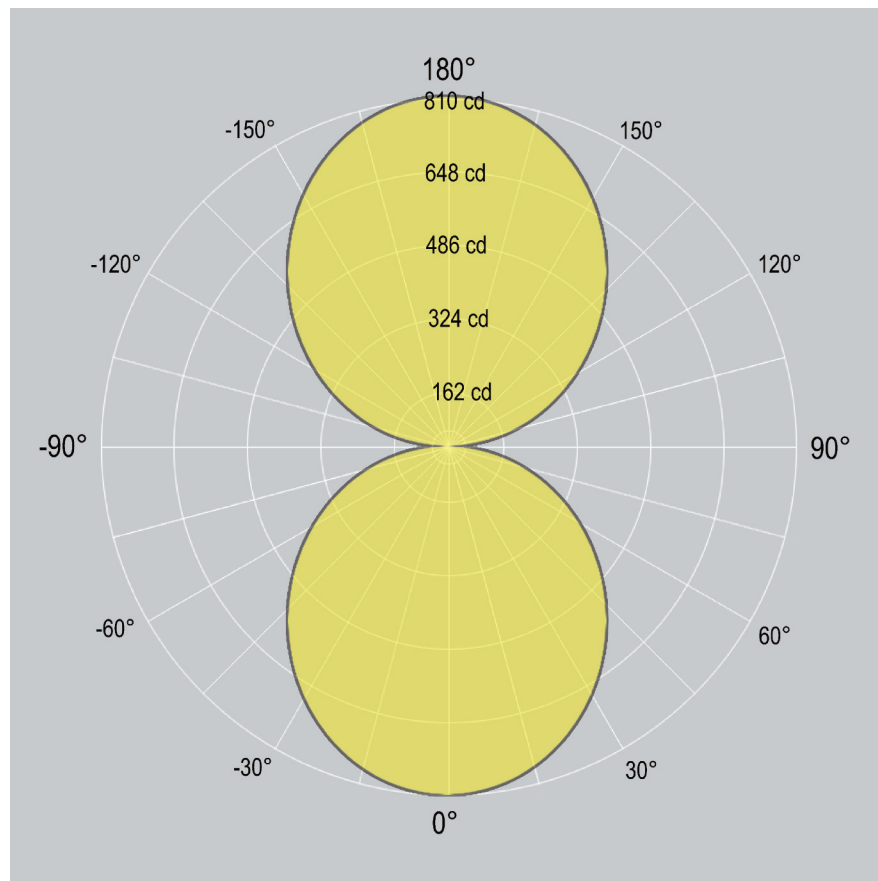
INDIRECT / DIRECT or One Direction - Wall Mounted

**LIGHT
FORMS**

Dimensions



Distribution



LIGHTPLANE LINEAR WALL 2.5 UU — LPLW2.5UU

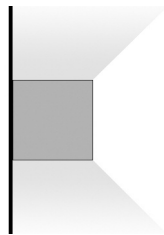
INDIRECT / DIRECT or One Direction - Wall Mounted



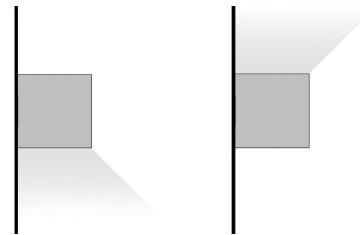
1. Base Model

LPLW2.5UU-ID	Wall Mounted (Indirect / Direct)
LPLW2.5UU-D	Wall Mounted (One Direction)

LPLW2.5UU-ID
Wall Mounted - Indirect / Direct



LPLW2.5UU-D
Wall Mounted - One direction



2. Run Length

Enter total linear length, (example: 6M)

3. LED Lamping (indirect and indirect)

STD - xxxxK (example: STD-4000K)	Standard Output , LED 2x20W/M 4650 delivered lm, 80 lm/W
HI - xxxxK (example: HI-4000K)	High Output , LED 2x30W/M 5300 delivered lm, 76 lm/W
	CCT: 3000K 3500K 4000K Option: 2700K 5000K 5700K 6500K
	Additional LED Options
CV - xxxxK	Constant Voltage (for custom lengths) 24/12VDC Contact factory for detail
TW	Tunable White (2700K - 6500K) Contact factory for detail
RGBW	RGB+WHITE - 24/12VDC Contact factory for detail

4. LED Driver

0/1-10V	0/1-10V dimming
DALI	DALI dimming
DMX	DMX dimming
NONDIM	Non-dimmable
OTHER	(Consult factory for options)

5. Finish

AL	Standard, natural aluminum
BK	Black powdercoat
WH	White powdercoat
Custom	Custom Color

6. Additional options

EM	1.5 Hour Emergency Kit
MS	Motion sensor
Others	Contact factory

LIGHTPLANE LINEAR WALL 2.5 UU — LPLW2.5UU

INDIRECT / DIRECT or One Direction - Wall Mounted

**LIGHT
FORMS**

Housing

100% recyclable, extruded architectural grade T6063 aluminum

Emergency

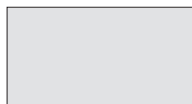
Luminaires can be wired for emergency circuit and/or emergency battery backup.
Consult factory for options.

Finish

Standard finish is "Ultimate" aluminum - a smooth, clean and durable finish achieved from a deep-etch and two step clear anodizing process.
White, Black, Custom powdercoat options also available.



WH - WHITE



AL - ALUMINUM



BK - BLACK



CUSTOM/_____

*Default canopy finish
is to match fitting color,
unless otherwise
specified*



ISO 9001:2015

China

Unit 3, Building A
No. 9 Phoenix Road
Torch Development Area
Zhongshan City
Guangdong China 528437

T +86 760 899 370 38
F +86 760 899 370 39
E ckirin@lightforms.com.cn

UK

Unit 7C Boeing Way
International Trading Estate
Middlesex
UB2 5LB

T +44 (0)20 8571 3785
F +44 (0)20 8090 3755
E ask@lightforms.com

India

353/2 Dr Hira Singh Road
Civil Lines
Ludhiana 141001
Punjab, India

T +91 98 7280 0488
E ajay@lightforms.com

Light Forms

Architectural Lighting
www.lightforms.com

Registered in England
No. 6750892
Registered Address
Unit 7C Boeing Way
International Trading Centre
Middlesex, UB2 5LB