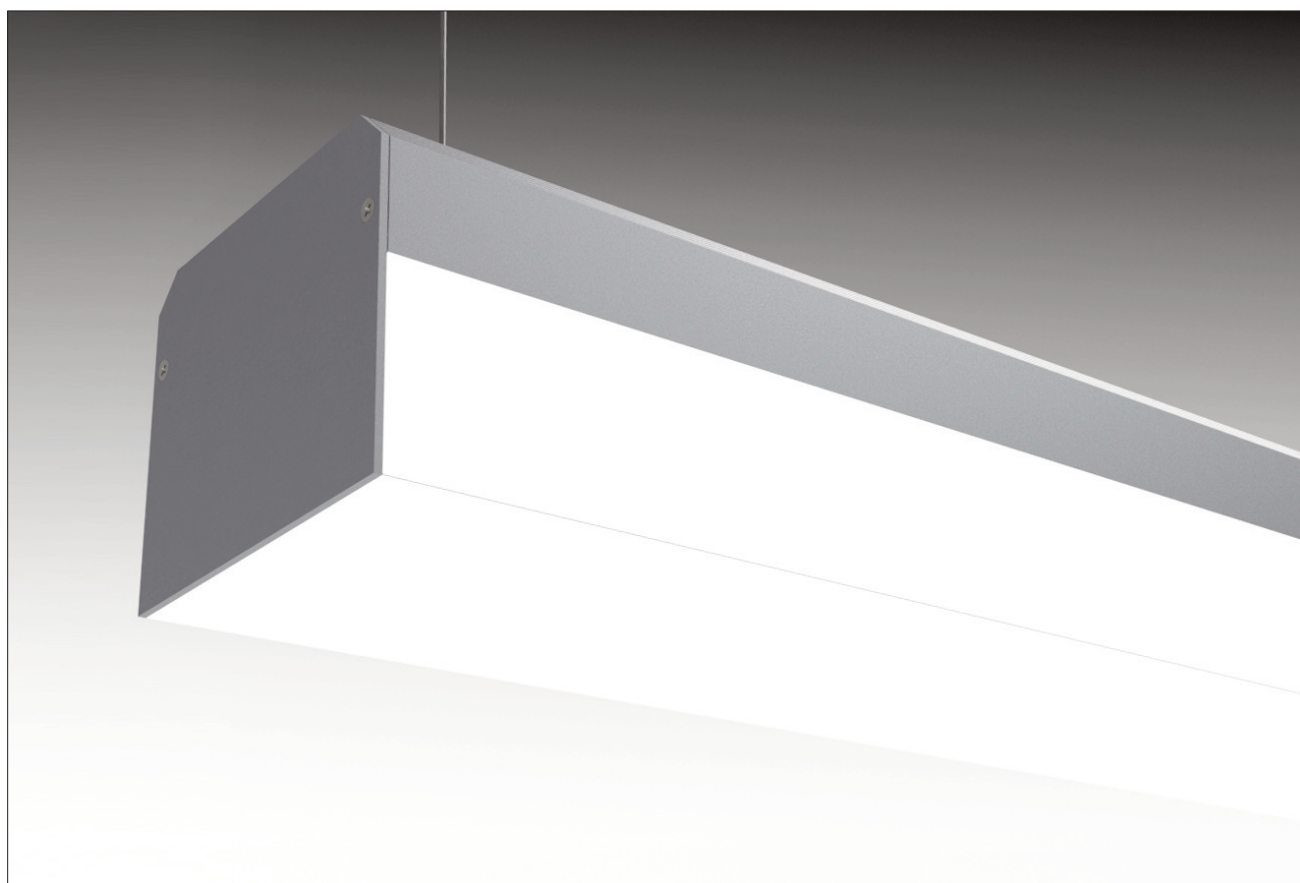


# BIG TRIPLANE - BTP

Suspended  
Surface



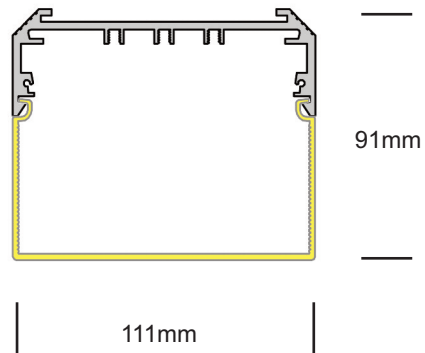
# BIG TRIPLANE — BTP

Suspended, Surface

**LIGHT  
FORMS**

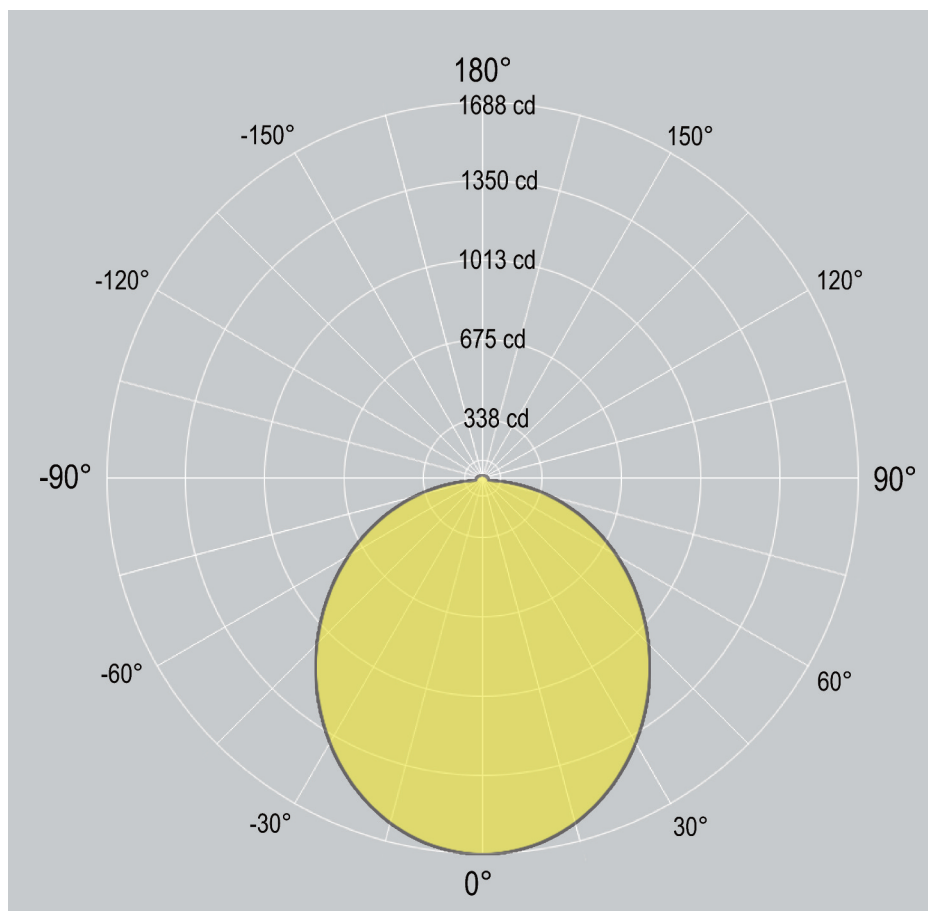
## Dimensions

---



## Distribution

---



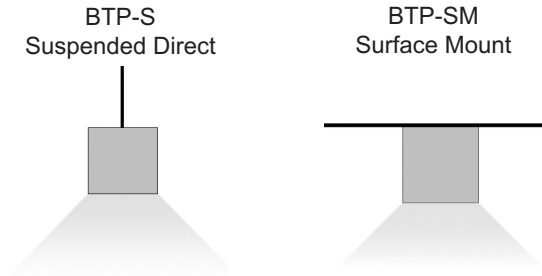
# BIG TRIPLANE — BTP

Suspended, Surface

**LIGHT  
FORMS**

## 1. Base Model

BTP-S	Suspended
BTP-SM	Surface Mounted (Direct)



## 2. Run Length

Enter total linear length, (example: 6M)

## 3. LED Lamping

STD - <b>xxxxK</b>	<b>SINGLE ROW LINEAR LED</b> Standard Output, LED 20W/M 2350 delivered lm/M, 101 lm/W @ 4000K
--------------------	--

HI - <b>xxxxK</b>	High Output, LED 30W/M 3360 delivered lm/M, 96 lm/W @ 4000K
-------------------	---

CCT: 3000K 3500K 4000K Option: 2700K 5000K 5700K 6500K  
Dual Row Led Strip Suggested

CV	<b>Additional Single Row LED Options</b> Constant Voltage (for custom lengths) - 12Vdc/24Vdc Contact factory for detail
----	---

TW	<b>Tunable White (2700K - 6500K)</b> Contact factory for detail
----	--

RGBW	<b>Standard Output - RGB+WHITE - 24Vdc/12Vdc</b> Contact factory for detail
------	--

## 4. Driver

0/1-10V	0/1-10V dimming
DALI	DALI dimming
DMX	DMX dimming
NONDIM	Non-dimmable
OTHER	(Consult factory for options)

## 5. Finish

AL	Standard, natural aluminum
BK	Black powdercoat
WH	White powdercoat
Custom	Custom Color

## 6. Additional options - remote only

EM	1.5 hour Emergency Kit
MS	Motion sensor
Others	Contact factory

# BIG TRIPLANE — BTP

Suspended, Surface

# LIGHT FORMS

## Housing

100% recyclable, extruded architectural grade T6063 aluminum

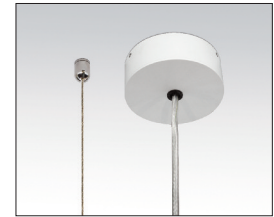
## Emergency

Luminaires can be wired for emergency circuit and/or emergency battery backup. Consult factory for options.

## Finish

Standard finish is "Ultimate" aluminum - a smooth, clean and durable finish achieved from a deep-etch and two step clear anodizing process.

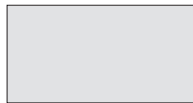
White, Black, Custom powdercoat options also available.



Supension & Power



WH - WHITE



AL - ALUMINUM



BK - BLACK



CUSTOM/\_\_\_\_

*Default canopy finish  
is to match fitting color,  
unless otherwise  
specified*



ISO 9001:2015

### China

Unit 3, Building A  
No. 9 Phoenix Road  
Torch Development Area  
Zhongshan City  
Guangdong China 528437

T +86 760 899 370 38  
F +86 760 899 370 39  
E [ckirin@lightforms.com.cn](mailto:ckirin@lightforms.com.cn)

### UK

Unit 7C Boeing Way  
International Trading Estate  
Middlesex  
UB2 5LB

T +44 (0)20 8571 3785  
F +44 (0)20 8090 3755  
E [ask@lightforms.com](mailto:ask@lightforms.com)

### India

353/2 Dr Hira Singh Road  
Civil Lines  
Ludhiana 141001  
Punjab, India

T +91 98 7280 0488  
E [ajay@lightforms.com](mailto:ajay@lightforms.com)

### Light Forms

Architectural Lighting  
[www.lightforms.com](http://www.lightforms.com)

Registered in England  
No. 6750892  
Registered Address  
Unit 7C Boeing Way  
International Trading Centre  
Middlesex, UB2 5LB