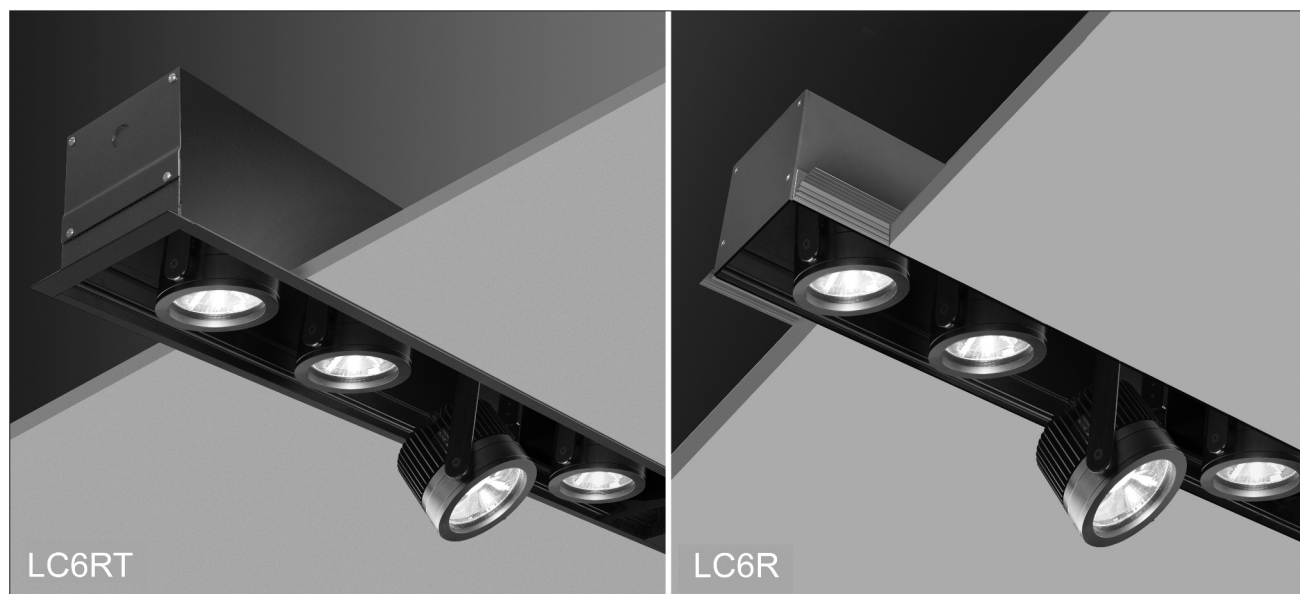


# LIGHT CHANNEL 6 RECESSED

## LCR6T & LCR6

Recessed - retractable spot system



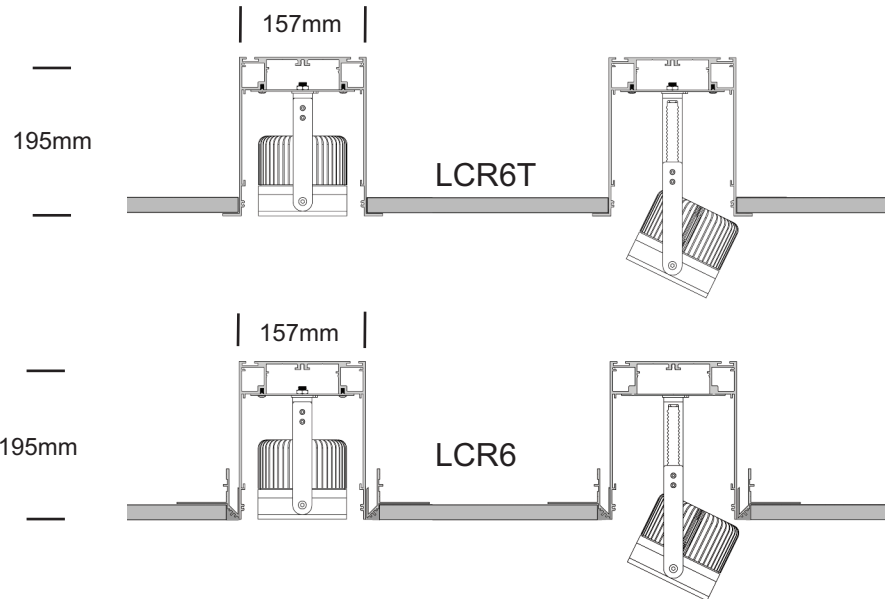
# LIGHT CHANNEL 6 RECESSED

LCR6 & LCR6T

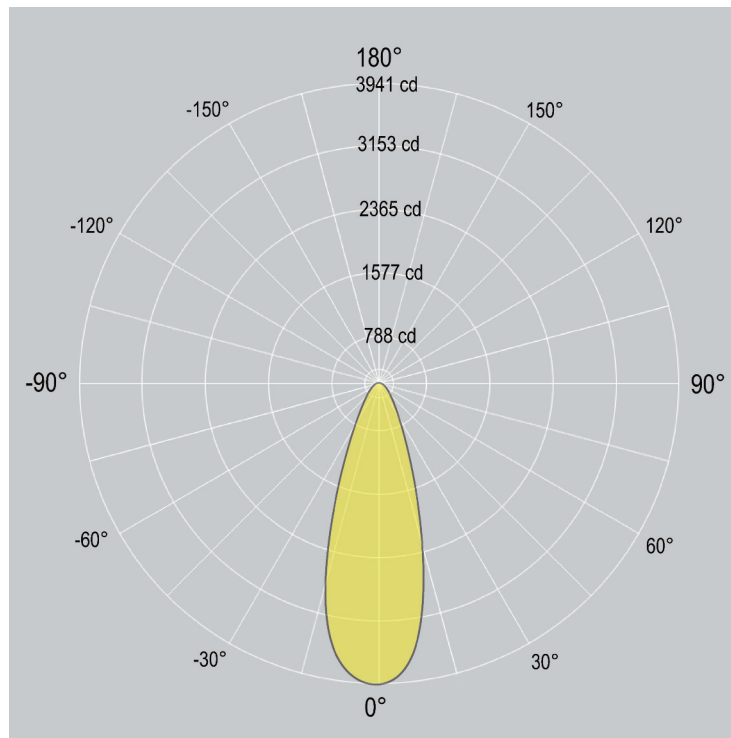
Recessed

**LIGHT  
FORMS**

## Dimensions



## Distribution



# LIGHT CHANNEL 6 RECESSED

## LCR6 & LCR6T

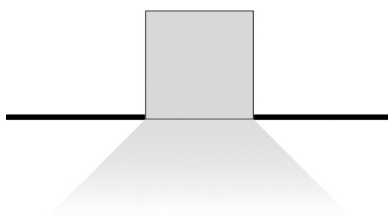
Recessed

# LIGHT FORMS

### 1. MODEL

|       |                      |
|-------|----------------------|
| LCR6  | Recessed (Trimless)  |
| LCR6T | Recessed (with Trim) |

LCR6 & LCR6T  
Recessed



### 2. RUN LENGTH

**xxxx** mm enter over-all length (...with trim is ordering LCR6T)

### 3. QUANTITY of SPOTS

**xxx** SPOTS

### 4. LED SPECIFICATION

D110/40 - 18W - 15°

D110/40 - 18W - 24°

D110/40 - 18W - 38°

D110/40 - 18W - 48°

D110/40 - 26W - 15°

D110/40 - 26W - 24°

D110/40 - 26W - 38°

D110/40 - 26W - 48°

D110/60 - 38W - 15°

D110/60 - 38W - 24°

D110/60 - 38W - 38°

D110/60 - 38W - 48°

D110/60 - 49W - 15°

D110/60 - 49W - 24°

D110/60 - 49W - 38°

D110/60 - 49W - 48°

### 5. CCT

3K - 3000K

4K - 4000K

|   |          |   |          |                               |          |          |          |
|---|----------|---|----------|-------------------------------|----------|----------|----------|
|  |          | • D110/40 SPOT - 18W & 26W                |          |                               |          |          |          |
|   |          | 110mm Diameter base / 40mm tall heat sink |          |                               |          |          |          |
|   |          | *DELIVERED LUMENS                         |          |                               |          |          |          |
| <b>D110/40 - 18 WATTS</b>   |          |   |          | <b>D110/40 - 26 WATTS</b>     |          |          |          |
| CITIZEN GEN 6 - CLU038-1206C4   |          |   |          | CITIZEN GEN 6 - CLU038-1206C4 |          |          |          |
| 500mA   |          |   |          | 700mA                         |          |          |          |
| 15° BEAM  |          | 24° BEAM                                  |          | 38° BEAM                      |          | 48° BEAM |          |
| 3000K   | 4000K    | 3000K                                     | 4000K    | 3000K                         | 4000K    | 3000K    | 4000K    |
| *2552 lm  | *2618 lm | *2466 lm                                  | *2531 lm | *2353 lm                      | *2414 lm | *2098 lm | *2153 lm |
| *3460 lm  | *3550 lm | *3345 lm                                  | *3432 lm | *3191 lm                      | *3274 lm | *2845 lm | *2919 lm |
| 142 lm/W  | 145 lm/W | 137 lm/W                                  | 141 lm/W | 131 lm/W                      | 134 lm/W | 116 lm/W | 120 lm/W |
| 133 lm/W  | 137 lm/W | 129 lm/W                                  | 132 lm/W | 123 lm/W                      | 126 lm/W | 109 lm/W | 112 lm/W |
|  |          | • D110/60 SPOT - 38W & 49W                |          |                               |          |          |          |
|   |          | 110mm Diameter base / 60mm tall heat sink |          |                               |          |          |          |
|   |          | *DELIVERED LUMENS                         |          |                               |          |          |          |
| <b>D110/60 - 38 WATTS</b>   |          |   |          | <b>D110/60 - 49 WATTS</b>     |          |          |          |
| CITIZEN GEN 6 - CLU038-1206C4   |          |   |          | CITIZEN GEN 6 - CLU038-1206C4 |          |          |          |
| 1000mA  |          |   |          | 1250mA                        |          |          |          |
| 15° BEAM  |          | 24° BEAM                                  |          | 38° BEAM                      |          | 48° BEAM |          |
| LOR 90%   |          | LOR 87%                                   |          | LOR 83%                       |          | LOR 74%  |          |
| 3000K   | 4000K    | 3000K                                     | 4000K    | 3000K                         | 4000K    | 3000K    | 4000K    |
| *4727 lm  | *4849 lm | *4569 lm                                  | *4687 lm | *4359 lm                      | *4472 lm | *3886 lm | *3987 lm |
| *5840 lm  | *5853 lm | *5645 lm                                  | *5658 lm | *5386 lm                      | *5391 lm | *4802 lm | *4812 lm |
| 124 lm/W  | 128 lm/W | 120 lm/W                                  | 123 lm/W | 115 lm/W                      | 118 lm/W | 102 lm/W | 105 lm/W |
| 119 lm/W  | 120 lm/W | 115 lm/W                                  | 115 lm/W | 110 lm/W                      | 110 lm/W | 98 lm/W  | 98 lm/W  |

# LIGHT CHANNEL 6 RECESSED

## LCR6 & LCR6T

Recessed

**LIGHT  
FORMS**

---

### 6. Driver

---

|         |                               |
|---------|-------------------------------|
| 0/1-10V | 0/1-10V dimming               |
| DALI    | DALI dimming                  |
| DMX     | DMX dimming                   |
| NONDIM  | Non-dimmable                  |
| OTHER   | (Consult factory for options) |

### 7. Finish

---

|        |                            |
|--------|----------------------------|
| AL     | Standard, natural aluminum |
| BK     | Black powdercoat           |
| WH     | White powdercoat           |
| Custom | Custom Color               |

### 8. Additional options

---

|        |                        |
|--------|------------------------|
| EM     | 1.5 hour Emergency Kit |
| MS     | Motion sensor          |
| Others | Contact factory        |

# LIGHT CHANNEL 6 RECESSED

## LCR6 & LCR6T

Recessed

# LIGHT FORMS

---

### Housing

100% recyclable, extruded architectural grade T6063 aluminum

---

### Emergency

Luminaires can be wired for emergency circuit and/or emergency battery backup.  
Consult factory for options.

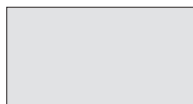
---

### Finish

Standard finish is "Ultimate" aluminum - a smooth, clean and durable finish achieved from a deep-etch and two step clear anodizing process.  
White, Black, and Custom color powdercoat options also available.



WH - WHITE



AL - ALUMINUM



Custom

*Default canopy finish is to match fitting color, unless otherwise specified*



BK - BLACK



ISO 9001:2015

---

#### China

Unit 3, Building A  
No. 9 Phoenix Road  
Torch Development Area  
Zhongshan City  
Guangdong China 528437

T +86 760 899 370 38  
F +86 760 899 370 39  
E ckirin@lightforms.com.cn

#### UK

Unit 7C Boeing Way  
International Trading Estate  
Middlesex  
UB2 5LB

T +44 (0)20 8571 3785  
F +44 (0)20 8090 3755  
E ask@lightforms.com

#### India

353/2 Dr Hira Singh Road  
Civil Lines  
Ludhiana 141001  
Punjab, India

T +91 98 7280 0488  
E ajay@lightforms.com

#### Light Forms

Architectural Lighting  
www.lightforms.com

Registered in England  
No. 6750892  
Registered Address  
Unit 7C Boeing Way  
International Trading Centre  
Middlesex, Ub2 5Lb