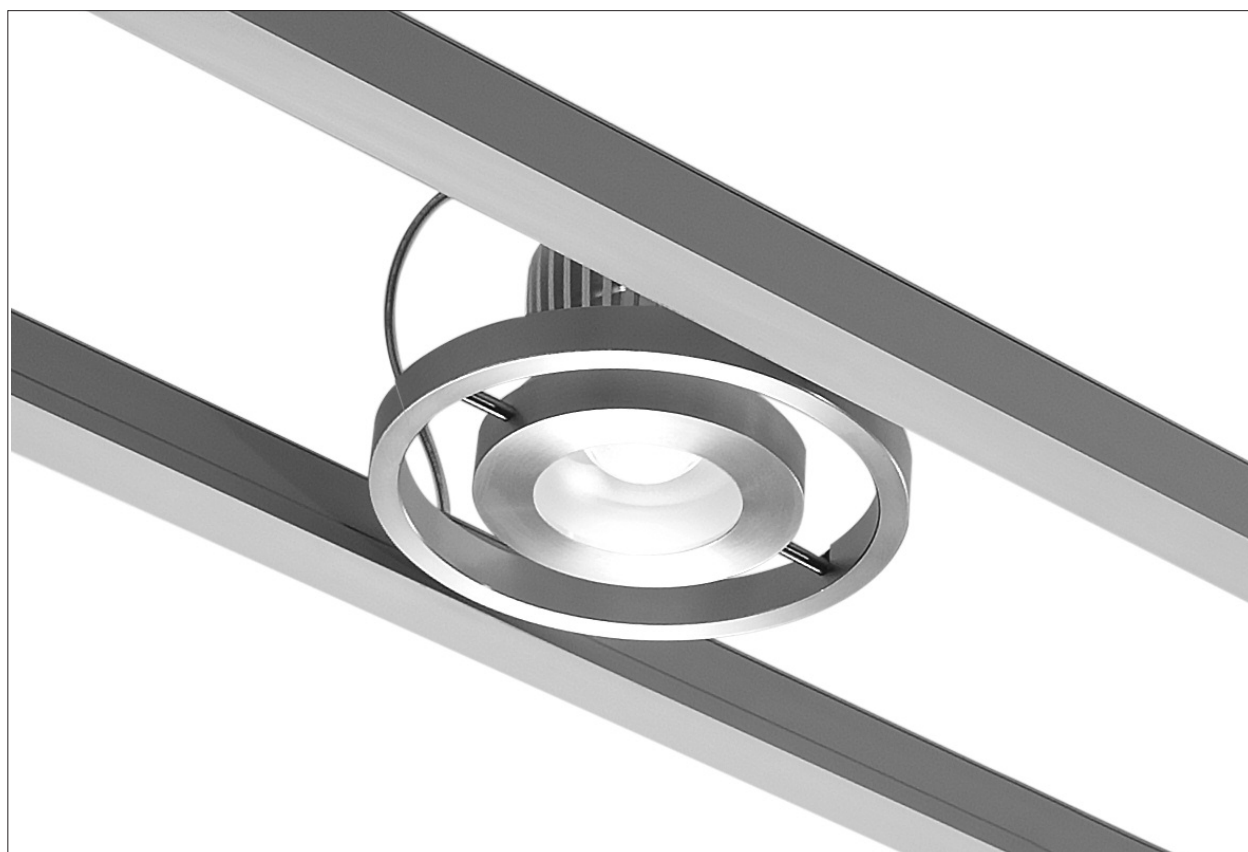


# LIGHTPLANE 9 – LP9

TWIN CHANNEL SPOTS

Suspended  
Wall

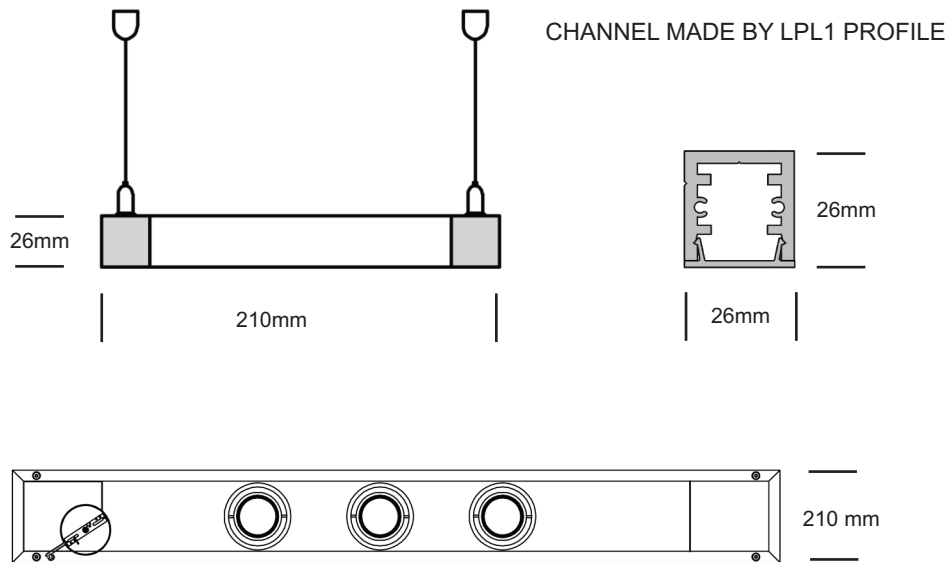


# LIGHTPLANE 9 — LP9

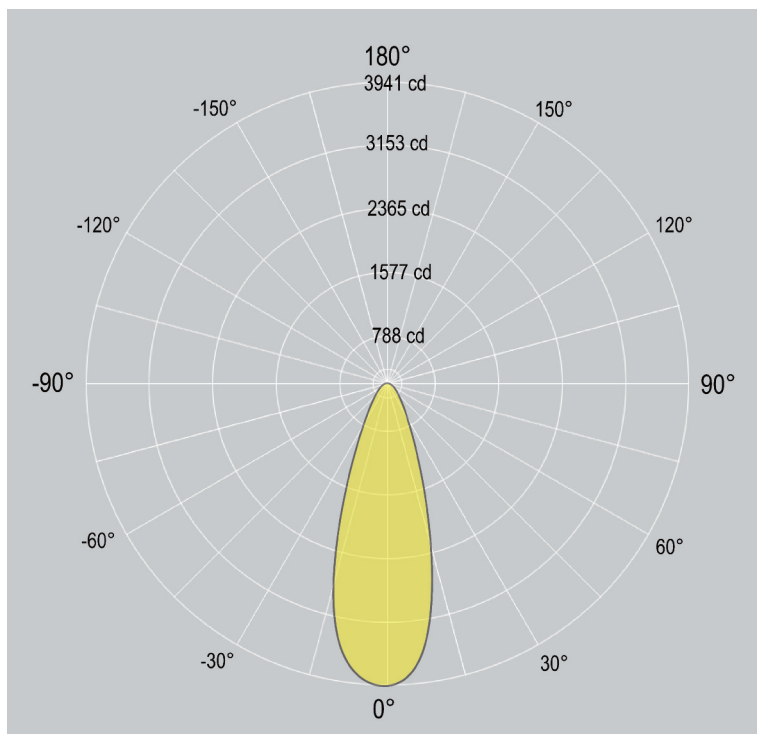
Suspended, Wall Sconce

# LIGHT FORMS

## Dimensions



## Distribution



# LIGHTPLANE 9 — LP9

Suspended, Wall Sconce

# LIGHT FORMS

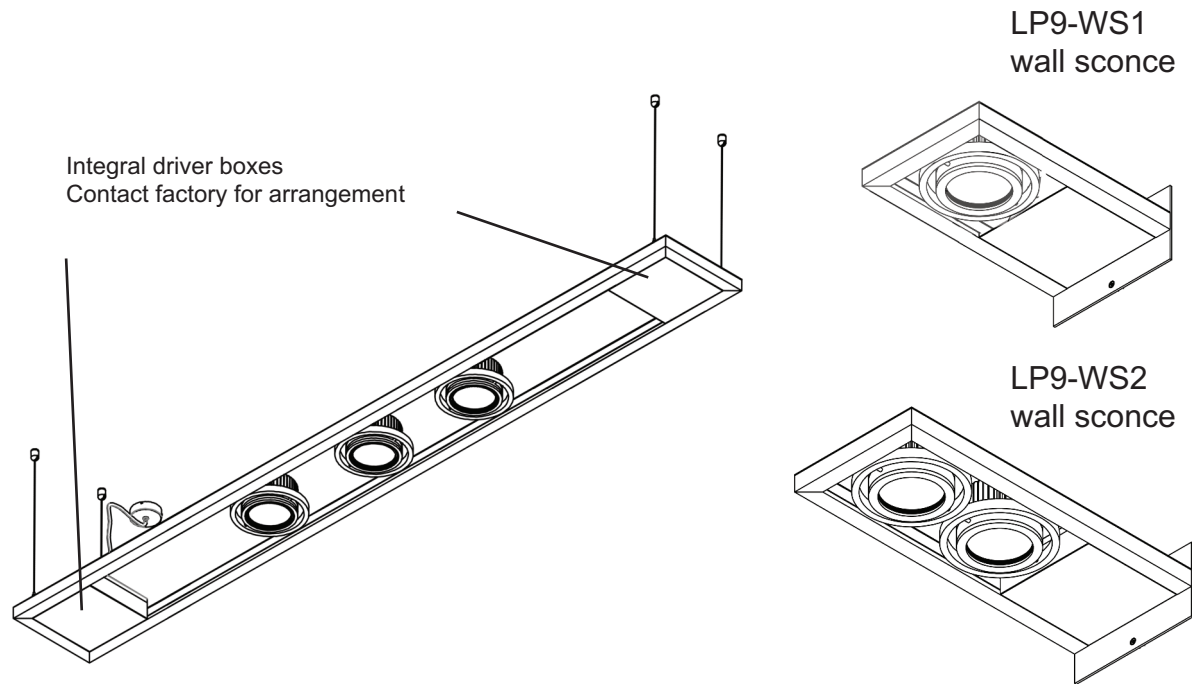
## 1. MODEL

LP9-S

Suspended

LP9-WS1 or LP9-WS2

Single Head Wall Sconce or Double head Wall Sconce



# LIGHTPLANE 9 — LP9

Suspended, Wall Sconce

# LIGHT FORMS

## 2. RUN LENGTH

xxxx mm

## 3. QUANTITY of SPOTS

xxx SPOTS

## 4. LED SPECIFICATION

D50/60 - 7W - 25°  
D50/60 - 7W - 40°

D50/80 - 13W - 25°  
D50/80 - 13W - 40°

D85/60 - 13W - 25°  
D85/60 - 13W - 40°  
D85/60 - 13W - 60°

D85/60 - 19W - 25°  
D85/60 - 19W - 40°  
D85/60 - 19W - 60°

D110/40 - 18W - 15°  
D110/40 - 18W - 24°  
D110/40 - 18W - 38°  
D110/40 - 18W - 48°

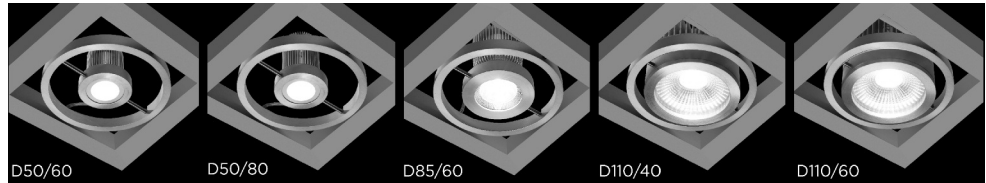
D110/40 - 26W - 15°  
D110/40 - 26W - 24°  
D110/40 - 26W - 38°  
D110/40 - 26W - 48°

D110/60 - 38W - 15°  
D110/60 - 38W - 24°  
D110/60 - 38W - 38°  
D110/60 - 38W - 48°

D110/60 - 49W - 15°  
D110/60 - 49W - 24°  
D110/60 - 49W - 38°  
D110/60 - 49W - 48°

## 5. CCT

3K - 3000K  
4K - 4000K



 <ul style="list-style-type: none"> <li>• D50/60 SPOT - 7W 50mm Diameter base / 60mm tall heat sink</li> </ul>				 <ul style="list-style-type: none"> <li>• D50/80 SPOT - 13W 50mm Diameter base / 80mm tall heat sink</li> </ul>			
*DELIVERED LUMENS				*DELIVERED LUMENS			
<b>D50/60 - 7 WATTS</b>				<b>D50/80 - 13 WATTS</b>			
CITIZEN GEN 6 - CLU028-1204C4				CITIZEN GEN 6 - CLU028-1204C4			
200mA				350mA			
25° BEAM		40° BEAM		25° BEAM		40° BEAM	
3000K	4000K	3000K	4000K	3000K	4000K	3000K	4000K
*910 lumens	*934 lumens	*796 lumens	*817 lumens	*1534 lumens	*1575 lumens	*1342 lumens	*1378 lumens
130 lm/W	133 lm/W	114 lm/W	117 lm/W	118 lm/W	121 lm/W	103 lm/W	106 lm/W

 <ul style="list-style-type: none"> <li>• D85/60 SPOT - 13W &amp; 19W 85mm Diameter base / 60mm tall heat sink</li> </ul>							
*DELIVERED LUMENS							
<b>D85/60 - 13 WATTS</b>				<b>D85/60 - 19 WATTS</b>			
CITIZEN GEN 6 - CLU028-1204C4				CITIZEN GEN 6 - CLU028-1204C4			
350mA				500mA			
25° BEAM		40° BEAM		60° BEAM		25° BEAM	
3000K	4000K	3000K	4000K	3000K	4000K	3000K	4000K
*1821 lm	*1870 lm	*1821 lm	*1870 lm	*1591 lm	*1633 lm	*2511 lm	*2577 lm
140 lm/W	144 lm/W	140 lm/W	144 lm/W	122 lm/W	126 lm/W	132 lm/W	136 lm/W

 <ul style="list-style-type: none"> <li>• D110/40 SPOT - 18W &amp; 26W 110mm Diameter base / 40mm tall heat sink</li> </ul>							
*DELIVERED LUMENS							
<b>D110/40 - 18 WATTS</b>				<b>D110/40 - 26 WATTS</b>			
CITIZEN GEN 6 - CLU038-1206C4				CITIZEN GEN 6 - CLU038-1206C4			
500mA				700mA			
15° BEAM		24° BEAM		38° BEAM		48° BEAM	
3000K	4000K	3000K	4000K	3000K	4000K	3000K	4000K
*2552 lm	*2618 lm	*2466 lm	*2531 lm	*2353 lm	*2414 lm	*2098 lm	*2153 lm
142 lm/W	145 lm/W	137 lm/W	141 lm/W	131 lm/W	134 lm/W	116 lm/W	120 lm/W

 <ul style="list-style-type: none"> <li>• D110/60 SPOT - 38W &amp; 49W 110mm Diameter base / 60mm tall heat sink</li> </ul>							
*DELIVERED LUMENS							
<b>D110/60 - 38 WATTS</b>				<b>D110/60 - 49 WATTS</b>			
CITIZEN GEN 6 - CLU038-1206C4				CITIZEN GEN 6 - CLU038-1206C4			
1000mA				1250mA			
15° BEAM		24° BEAM		38° BEAM		48° BEAM	
LOR 90%	LOR 87%	LOR 83%	LOR 74%	LOR 90%	LOR 87%	LOR 83%	LOR 74%
3000K	4000K	3000K	4000K	3000K	4000K	3000K	4000K
*4727 lm	*4849 lm	*4569 lm	*4687 lm	*4359 lm	*4472 lm	*3886 lm	*3987 lm
124 lm/W	128 lm/W	120 lm/W	123 lm/W	115 lm/W	118 lm/W	102 lm/W	105 lm/W

# LIGHTPLANE 9 — LP9

Suspended, Wall Sconce

**LIGHT  
FORMS**

---

## 6. Driver

---

0/1-10V	0/1-10V dimming
DALI	DALI dimming
DMX	DMX dimming
NONDIM	Non-dimmable
OTHER	(Consult factory for options)

## 7. Finish

---

AL	Standard, natural aluminum
BK	Black powdercoat
WH	White powdercoat
Custom	Custom Color

## 8. Additional options

---

EM	1.5 hour Emergency Kit
MS	Motion sensor
Others	Contact factory

# LIGHTPLANE 9 — LP9

Suspended, Wall Sconce

# LIGHT FORMS

## Housing

100% recyclable, extruded architectural grade T6063 aluminum

## Emergency

Luminaires can be wired for emergency circuit and/or emergency battery backup. Consult factory for options.

## Options

Mitered Corners

Consult factory for mitered corner angle options.

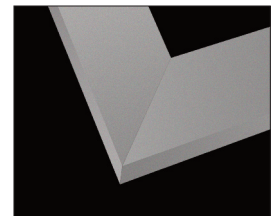
## Finish

Standard finish is "Ultimate" aluminum - a smooth, clean and durable finish achieved from a deep-etch and two step clear anodizing process.

White, Black, and Custom color powdercoat options also available.



Suspension & Power



Mitered Corners



WH - WHITE



AL - ALUMINUM



Custom

*Default canopy finish is to match fitting color, unless otherwise specified*



BK - BLACK



ISO 9001:2015

### China

Unit 3, Building A  
No. 9 Phoenix Road  
Torch Development Area  
Zhongshan City  
Guangdong China 528437

T +86 760 899 370 38  
F +86 760 899 370 39  
E ckirin@lightforms.com.cn

### UK

Unit 7C Boeing Way  
International Trading Estate  
Middlesex  
UB2 5LB

T +44 (0)20 8571 3785  
F +44 (0)20 8090 3755  
E ask@lightforms.com

### India

353/2 Dr Hira Singh Road  
Civil Lines  
Ludhiana 141001  
Punjab, India

T +91 98 7280 0488  
E ajay@lightforms.com

### Light Forms

Architectural Lighting  
www.lightforms.com

Registered in England  
No. 6750892  
Registered Address  
Unit 7C Boeing Way  
International Trading Centre  
Middlesex, Ub2 5Lb