

RLPL2.5

seamless prismatic low glare rolled lens

Suspended
Wall
Surface



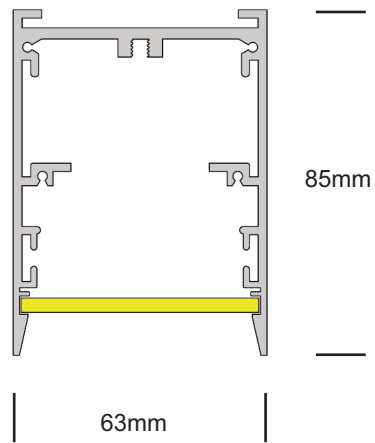
- Standard lens is seamless, prismatic, low glare, rolled lens.

RLPL2.5

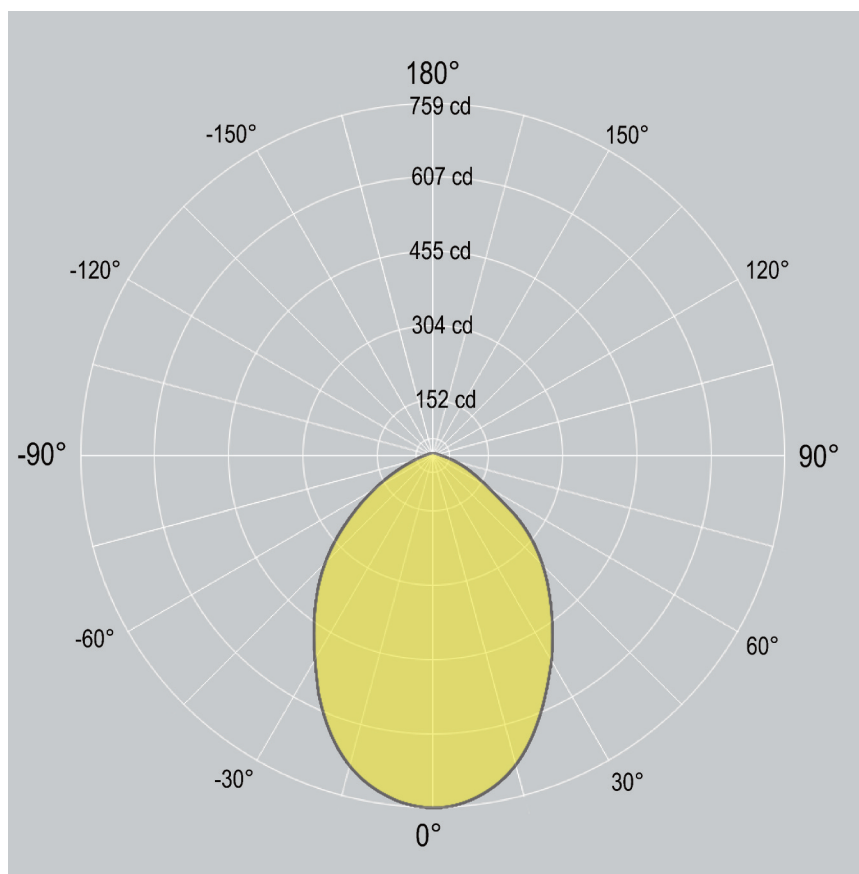
Suspended, Wall, Surface (Indirect or Direct)

**LIGHT
FORMS**

Dimensions



Distribution



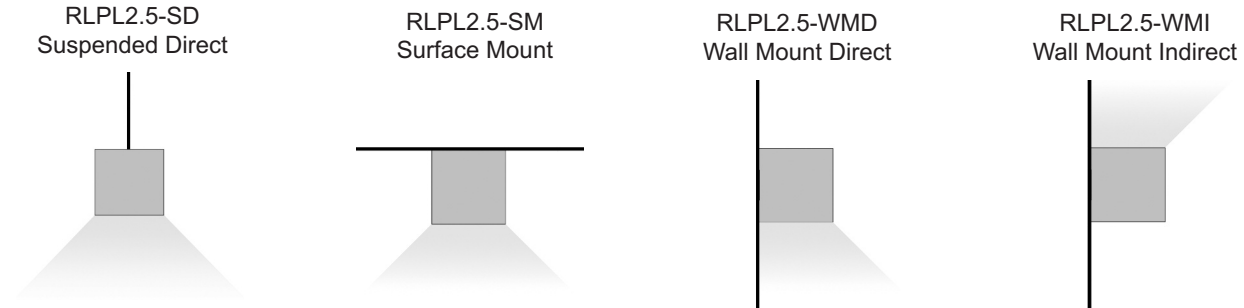
RLPL2.5

Suspended, Wall, Surface (Indirect or Direct)



1. Base Model

RLPL-SD	Suspended (Direct)
RLPL-WMI	Wall Mounted (Indirect)
RLPL-WMD	Wall Mounted (Direct)
RLPL-SM	Surface Mounted



2. Run Length

Enter total linear length, (example: 6M)

3. LED Lamping

STD - xxxxK	Standard Output, LED 20W/M 1900delivered lm/M, 80 lm/W @ 4000K
HI - xxxxK	High Output, LED 30W/M 2650 delivered lm/M, 76 lm/W @ 4000K
	CCT: 3000K 3500K 4000K Option: 2700K 5000K 5700K 6500K
CV	Additional Single Row LED Options Constant Voltage (for custom lengths) - 12Vdc/24Vdc <i>Contact factory for detail</i>
TW	Tunable White (2700K - 6500K) <i>Contact factory for detail</i>
RGBW	Standard Output - RGB+WHITE - 24Vdc/12Vdc <i>Contact factory for detail</i>

4. Driver

0/1-10V	0/1-10V dimming
DALI	DALI dimming
DMX	DMX dimming
NONDIM	Non-dimmable
OTHER	(Consult factory for options)

5. Finish

AL	Standard, natural aluminum
BK	Black powdercoat
WH	White powdercoat
Custom	Custom Color

6. Additional options

EM	1.5 hour Emergency Kit
MS	Motion sensor
OTHER	Contact Factory

RLPL2.5

Suspended, Wall, Surface (Indirect or Direct)

Housing

100% recyclable, extruded architectural grade T6063 aluminum

Emergency

Luminaires can be wired for emergency circuit and/or emergency battery backup. Consult factory for options.

Finish

Standard finish is "Ultimate" aluminum - a smooth, clean and durable finish achieved from a deep-etch and two step clear anodizing process. White, Black, Custom powdercoat options also available.



WH - WHITE



AL - ALUMINUM

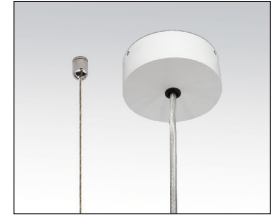


BK - BLACK

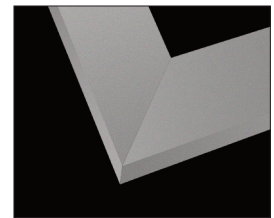


CUSTOM/____

Default canopy finish is to match fitting color, unless otherwise specified



Suspension & Power



Mitered Corners



ISO 9001:2015

China

Unit 3, Building A
No. 9 Phoenix Road
Torch Development Area
Zhongshan City
Guangdong China 528437

T +86 760 899 370 38
F +86 760 899 370 39
E ckirin@lightforms.com.cn

UK

Unit 7C Boeing Way
International Trading Estate
Middlesex
UB2 5LB

T +44 (0)20 8571 3785
F +44 (0)20 8090 3755
E ask@lightforms.com

India

353/2 Dr Hira Singh Road
Civil Lines
Ludhiana 141001
Punjab, India

T +91 98 7280 0488
E ajay@lightforms.com

Light Forms

Architectural Lighting
www.lightforms.com

Registered in England
No. 6750892
Registered Address
Unit 7C Boeing Way
International Trading Centre
Middlesex, UB2 5LB