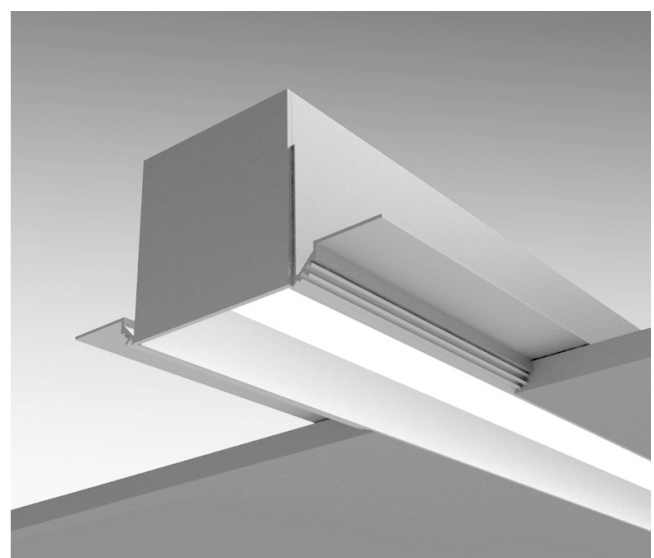
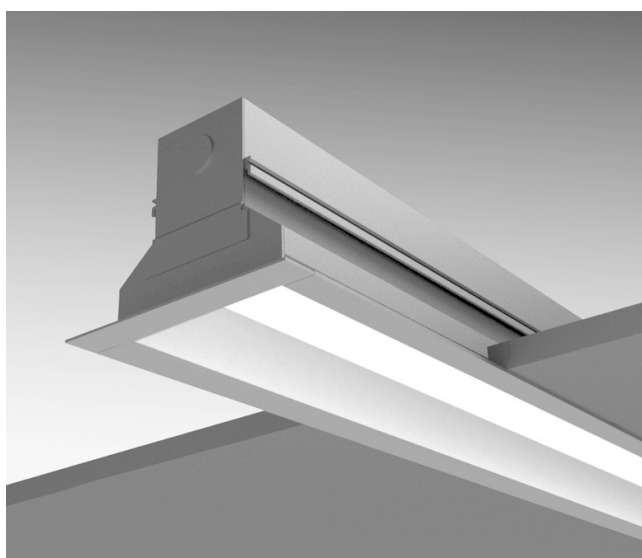
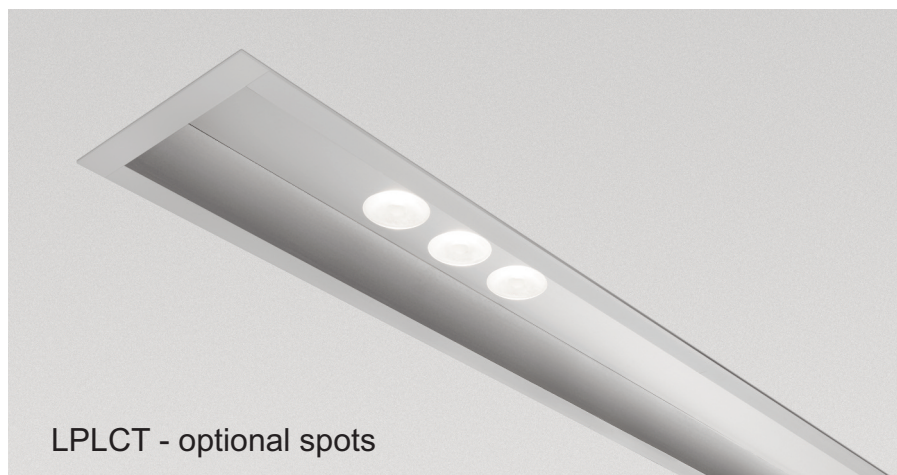


LIGHTPLANE RECESSED CONCAVE

Recessed with Trim (LPLCT) & Trimless (LPLC)

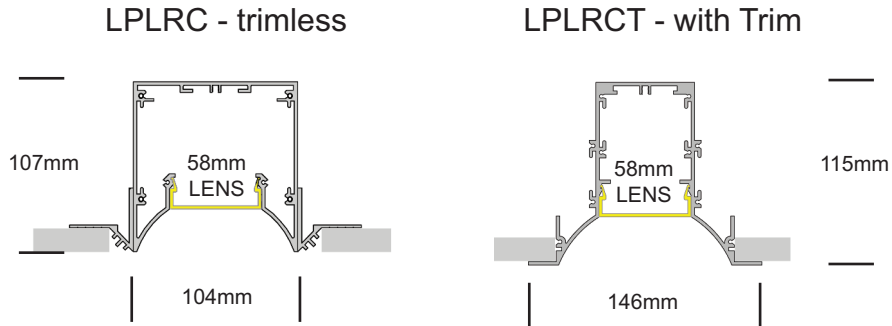


LIGHTPLANE RECESSED CONCAVE

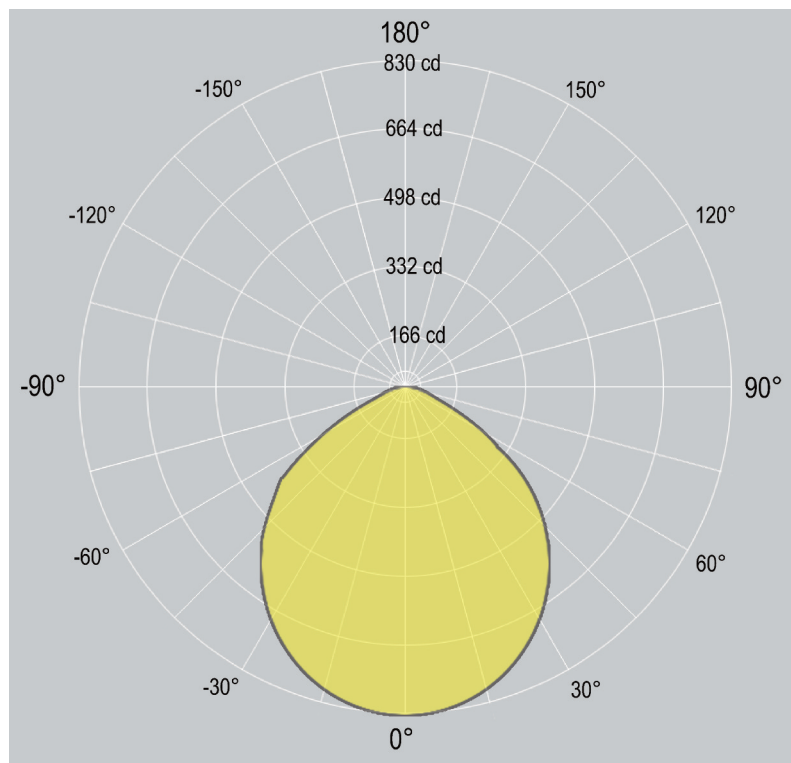
Recessed

**LIGHT
FORMS**

Dimensions



Distribution



LIGHTPLANE RECESSED CONCAVE

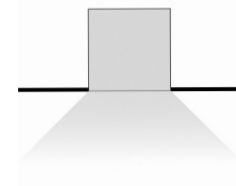
Recessed

LIGHT FORMS

1. Base Model

LPLRCT	Recessed - with Trim
LPLRC	Recessed - Trimless

LPLRCT, LPLRC Recessed



2. Run Length

Enter total linear length, (example: 6M)

3. LED Lamping

NOLINEAR Specify "NOLINEAR" if only specifying Spots without Linear LED.

STD - **xxxxK** (example: STD-4000K) **SINGLE ROW LINEAR LED**
Standard Output, LED 20W/M, 1850 delivered lm/M, 77lm/w @ 4000K

HI - **xxxxK** (example: HI-4000K) **High Output**, LED 30W/M, 2500 delivered lm/M, 73lm/w @ 4000K

CCT: 3000K 3500K 4000K OPTION: 2700K 5000K 5700K 6500K
Dual Row LED strip available

TW **Additional Single Row LED Option**
Tunable White (2700K - 6500K) - 24VDC/12VDC
Contact factory for detail

RGBW - **xxxxK** **Standard Output - RGB+WHITE - 24VDC/12VDC**
Contact factory for detail

4. LED Driver

0/1-10V	0/1-10V dimming
DALI	DALI dimming
DMX	DMX dimming
STD	Non-dimmable
OTHER	(Consult factory for options)

5. SPOTS (optional spots)

xx-SPOT15	Quantity xx of Spots with 15 degree beam - 30W each
xx-SPOT24	Quantity xx of Spots with 24 degree beam - 30W each
xx-SPOT36	Quantity xx of Spots with 36 degree beam - 30W each



6. Finish

AL	Standard, natural aluminum
BK	Black powdercoat
WH	White powdercoat
Custom	Custom Color

7. Additional options

EM	1.5 Hour Emergency Kit
MS	Motion sensor
Others	Contact factory

LIGHTPLANE RECESSED CONCAVE

Recessed

**LIGHT
FORMS**

Housing

100% recyclable, extruded architectural grade T6063 aluminum

Emergency

Luminaires can be wired for emergency circuit and/or emergency battery backup. Consult factory for options.

Options

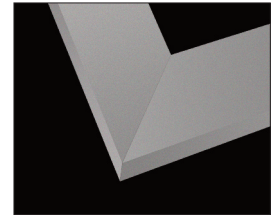
Mitered Corners

Consult factory for mitered corner angle options.

Finish

Standard finish is "Ultimatte" aluminum - a smooth, clean and durable finish achieved from a deep-etch and two step clear anodizing process.

White, Black, Custom powdercoat options also available.



Mitered Corners



WH - WHITE



AL - ALUMINUM



BK - BLACK



Custom/____

*Default canopy finish
is to match fitting color,
unless otherwise
specified*



ISO 9001:2015

China

Unit 3, Building A
No. 9 Phoenix Road
Torch Development Area
Zhongshan City
Guangdong China 528437

T +86 760 899 370 38
F +86 760 899 370 39
E ckirin@lightforms.com.cn

UK

Unit 7C Boeing Way
International Trading Estate
Middlesex
UB2 5LB

T +44 (0)20 8571 3785
F +44 (0)20 8090 3755
E ask@lightforms.com

India

353/2 Dr Hira Singh Road
Civil Lines
Ludhiana 141001
Punjab, India

T +91 98 7280 0488
E ajay@lightforms.com

Light Forms

Architectural Lighting
www.lightforms.com

Registered in England
No. 6750892
Registered Address
Unit 7C Boeing Way
International Trading Centre
Middlesex, UB2 5LB