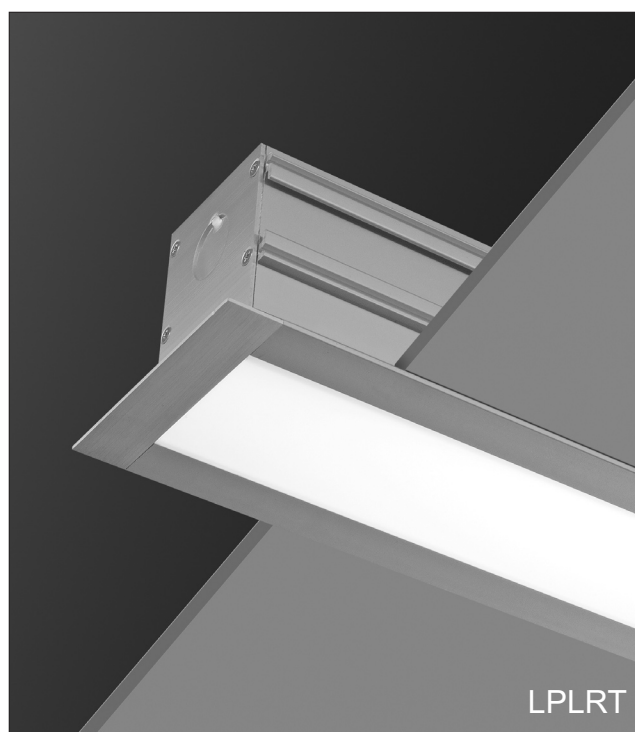
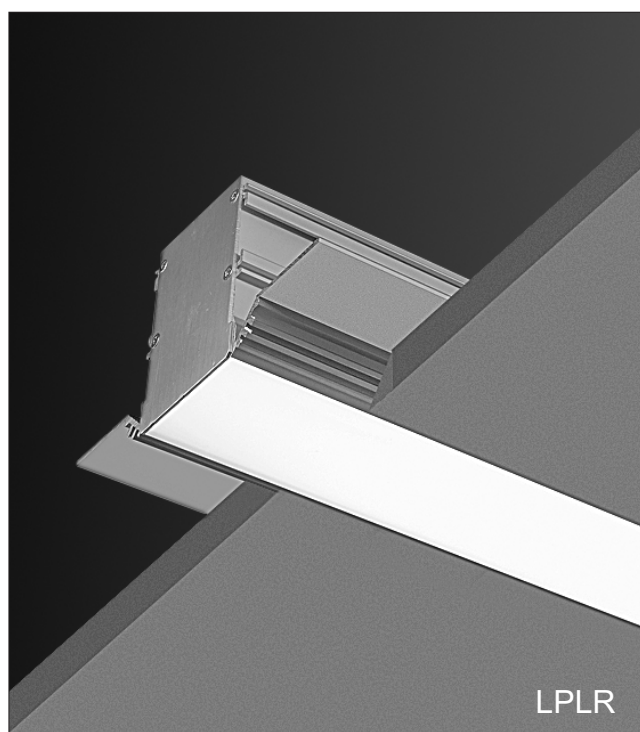


LIGHTPLANE RECESSED

LPLR Recessed - Trimless

LPLRT Recessed - with Trim



LIGHTPLANE RECESSED — LPLR & LPLRT

Recessed

**LIGHT
FORMS**

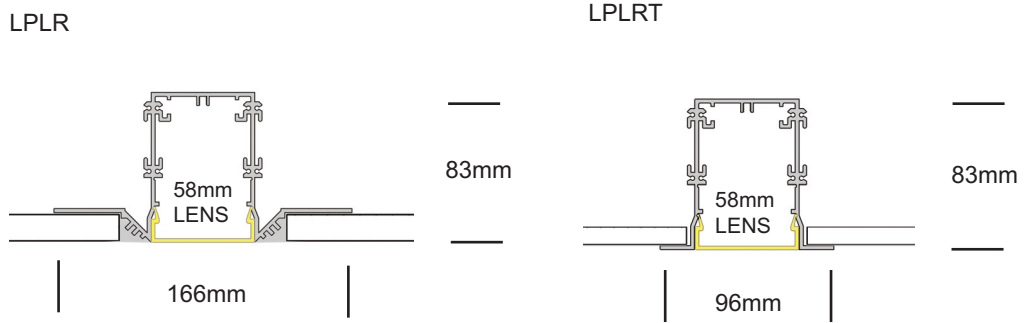


LIGHTPLANE RECESSED — LPLR & LPLRT

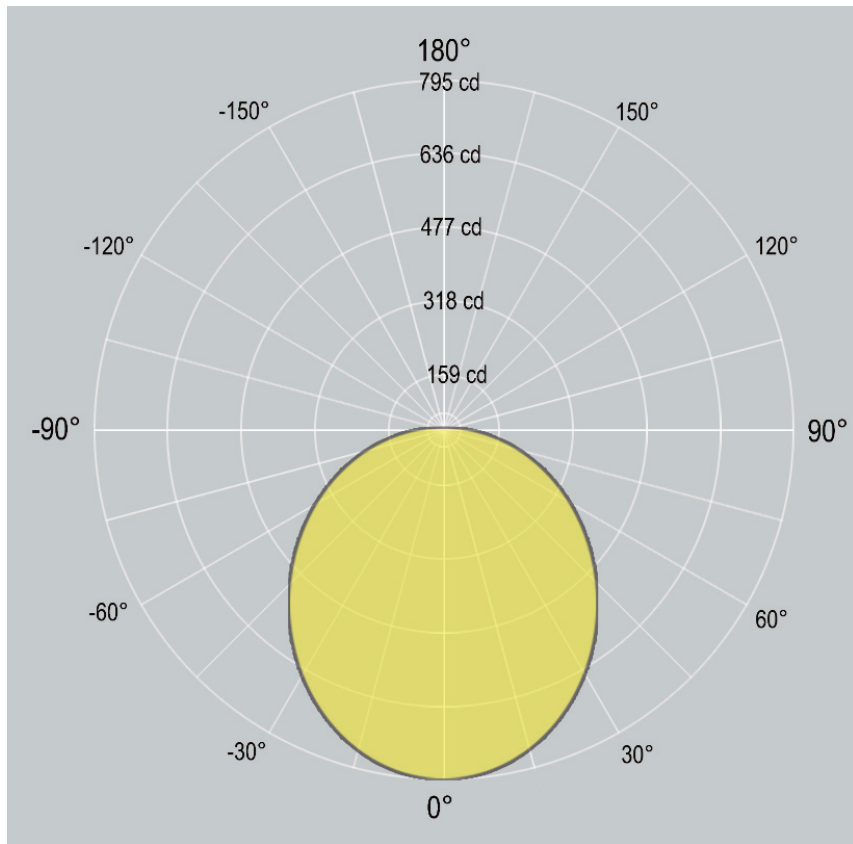
Recessed

**LIGHT
FORMS**

Dimensions



Distribution



LIGHTPLANE RECESSED — LPLR & LPLRT

Recessed

**LIGHT
FORMS**

1. Base Model

LPLR	Recessed - Trimless
LPLRT	Recessed - with Trim

2. Run Length

Enter total linear length, (example: 6M)

3. Lamping

STD - **xxxxK** (example: STD-4000K) **Standard Output**, LED 20W/M 2000 delivered lumen, 83 lm/W

HI - **xxxxK** (example: HI-4000K) **High Output**, LED 30W/M 2750 delivered lumen, 79 lm/W

CCT: 3000K 3500K 4000K Option: 2700K 5000K 5700K 6500K
Dual LED strips available

CV - **xxxxK**

Additional LED Options
Constant Voltage (for custom lengths) 24/12VDC
Contact factory for detail

TW

Tunable White (2700K - 6500K)

Contact factory for detail

RGBW

RGB+WHITE - 24/12VDC

Contact factory for detail

4. Driver

0/1-10V	0/1-10V dimming
DALI	DALI dimming
DMX	DMX dimming
NONDIM	Non-dimmable
OTHER	(Consult factory for options)

5. Finish

AL	Standard, natural aluminum
BK	Black powdercoat
WH	White powdercoat
Custom	Custom Color

6. Lens

EXT	FROSTED ACRYLIC LENS
ASY+WD	ASYMMETRIC LENS+CLEAR LENS

7. Additional options

EM	1.5 Hour Emergency Kit
MS	Motion sensor
Others	Contact factory



LIGHTPLANE RECESSED — LPLR & LPLRT

Recessed

**LIGHT
FORMS**

Housing

100% recyclable, extruded architectural grade T6063 aluminum

Emergency

Luminaires can be wired for emergency circuit and/or emergency battery backup.
Consult factory for options.

Options

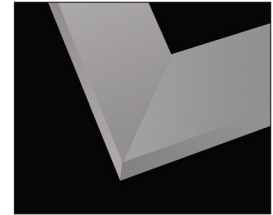
Mitered Corners

Consult factory for mitered corner angle options.

Finish

Standard finish is "Ultimate" aluminum - a smooth, clean and durable finish achieved from a deep-etch and two step clear anodizing process.

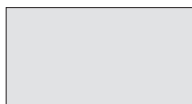
White, Black, Custom powdercoat options also available.



Mitered Corners



WH - WHITE



AL - ALUMINUM



BK - BLACK



Custom/____

*Default canopy finish
is to match fitting color,
unless otherwise
specified*



ISO 9001:2015

China

Unit 3, Building A
No. 9 Phoenix Road
Torch Development Area
Zhongshan City
Guangdong China 528437

T +86 760 899 370 38
F +86 760 899 370 39
E ckirin@lightforms.com.cn

UK

Unit 7C Boeing Way
International Trading Estate
Middlesex
UB2 5LB

T +44 (0)20 8571 3785
F +44 (0)20 8090 3755
E ask@lightforms.com

India

353/2 Dr Hira Singh Road
Civil Lines
Ludhiana 141001
Punjab, India

T +91 98 7280 0488
E ajay@lightforms.com

Light Forms

Architectural Lighting
www.lightforms.com

Registered in England
No. 6750892
Registered Address
Unit 7C Boeing Way
International Trading Centre
Middlesex, UB2 5LB