

LIGHTPLANE 2SS - LPL2SS

Suspended
Wall
Surface

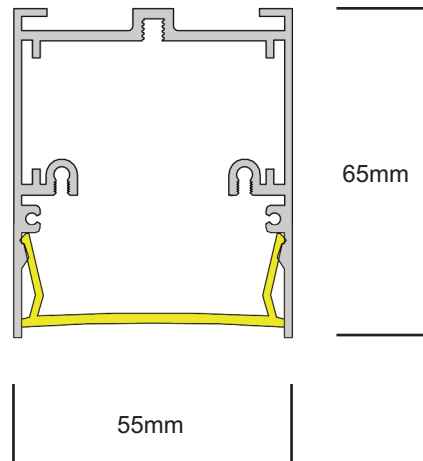


LIGHTPLANE 2SS — LPL2SS

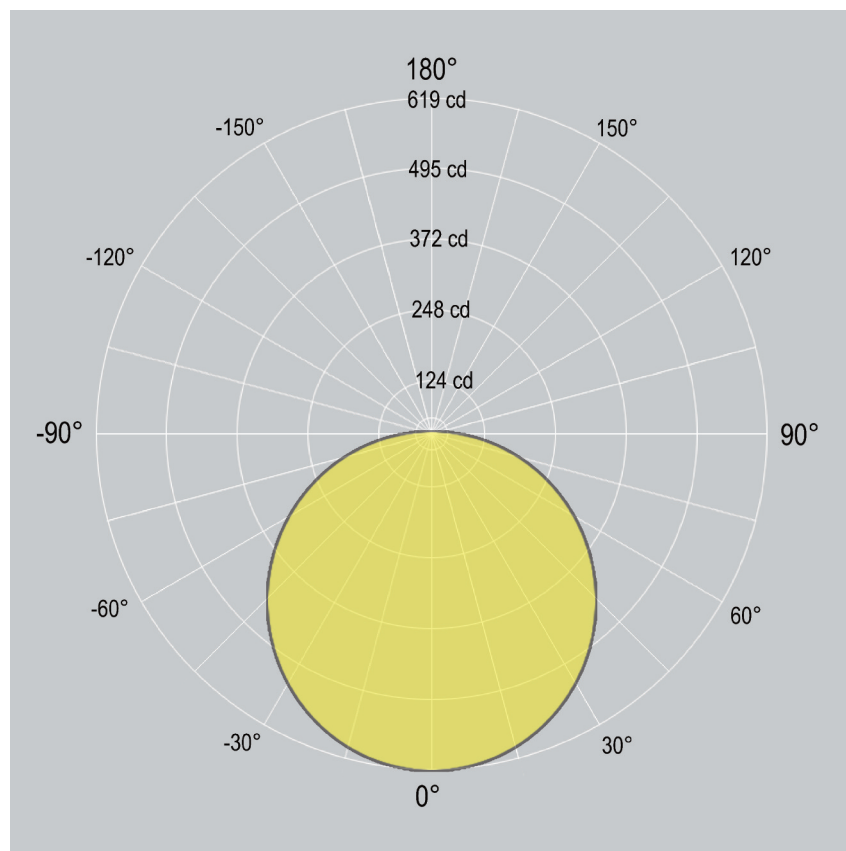
Suspended, Wall, Surface

**LIGHT
FORMS**

Dimensions



Distribution



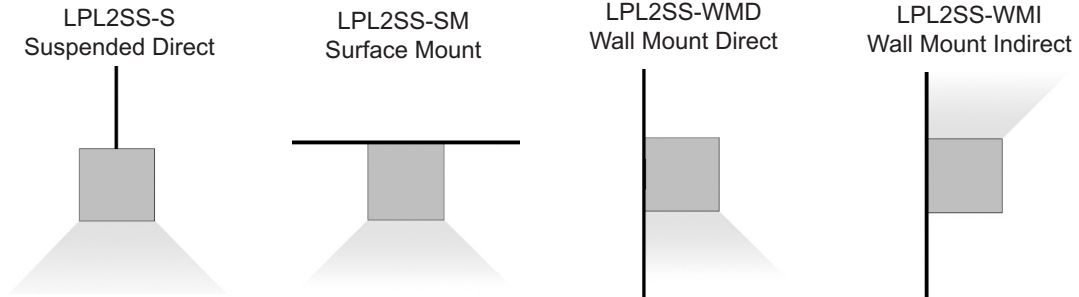
LIGHTPLANE 2SS — LPL2SS

Suspended, Wall, Surface

**LIGHT
FORMS**

1. Base Model

LPL2SS-S	Suspended
LPL2SS-WMI	Wall Mounted (Indirect)
LPL2SS-WMD	Wall Mounted (Direct)
LPL2SS-SM	Surface Mounted



2. Run Length

Enter total linear length, (example: 6M)

3. LED Lamping

STD - xxxxK (with PC lens)	Standard Output , LED 20W/M 1750 delivered lumen, 74 lm/W
HI - xxxxK (with PC lens)	High Output , LED 30W/M 2450 delivered lumen, 100 lm/W
	CCT: 3000K 3500K 4000K Option: 2700K 5000K 5700K 6500K

	Additional LED Options
CV - xxxxK	Constant Voltage (for custom lengths) 24/12VDC <i>Contact factory for detail</i>
TW	Tunable White (2700K - 6500K) <i>Contact factory for detail</i>
RGBW	RGB+WHITE - 24/12VDC <i>Contact factory for detail</i>

4. Driver

0/1-10V	0/1-10V dimming
DALI	DALI dimming
NONDIM	Non-dimmable
OTHER	(Consult factory for options)

5. Lens

PC	Opal PC diffuser
PR	Prismatic acrylic lens

6. Finish

AL	Standard, natural aluminum
BK	Black powdercoat
WH	White powdercoat
Custom	Custom Color

7. Additional options

EM	1.5 hour Emergency Kit
MS	Motion sensor
OTHER	Contact Factory

LIGHTPLANE 2SS — LPL2SS

Suspended, Wall, Surface

LIGHT FORMS

Housing

100% recyclable, extruded architectural grade T6063 aluminum

Emergency

Luminaires can be wired for emergency circuit and/or emergency battery backup. Consult factory for options.

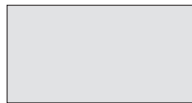
Finish

Standard finish is "Ultimate" aluminum - a smooth, clean and durable finish achieved from a deep-etch and two step clear anodizing process.

White, Black, Custom powdercoat options also available.



WH - WHITE



AL - ALUMINUM

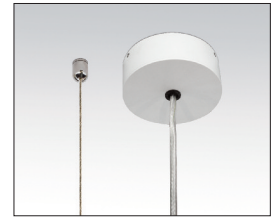


BK - BLACK

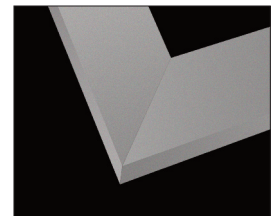


CUSTOM/____

Default canopy finish is to match fitting color, unless otherwise specified



Suspension & Power



Mitered Corners



ISO 9001:2015

China

Unit 3, Building A
No. 9 Phoenix Road
Torch Development Area
Zhongshan City
Guangdong China 528437

T +86 760 899 370 38
F +86 760 899 370 39
E ckirin@lightforms.com.cn

UK

Unit 7C Boeing Way
International Trading Estate
Middlesex
UB2 5LB

T +44 (0)20 8571 3785
F +44 (0)20 8090 3755
E ask@lightforms.com

India

353/2 Dr Hira Singh Road
Civil Lines
Ludhiana 141001
Punjab, India

T +91 98 7280 0488
E ajay@lightforms.com

Light Forms

Architectural Lighting
www.lightforms.com

Registered in England
No. 6750892
Registered Address
Unit 7C Boeing Way
International Trading Centre
Middlesex, UB2 5LB