

IP66L3.5

IP54L3.5

Water protected

Suspended

Wall

Surface

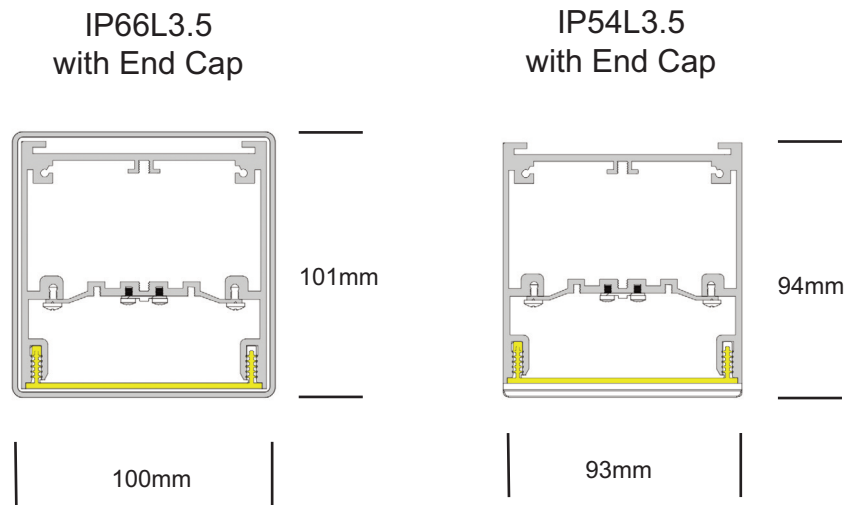


IP66L3.5 & IP54L3.5

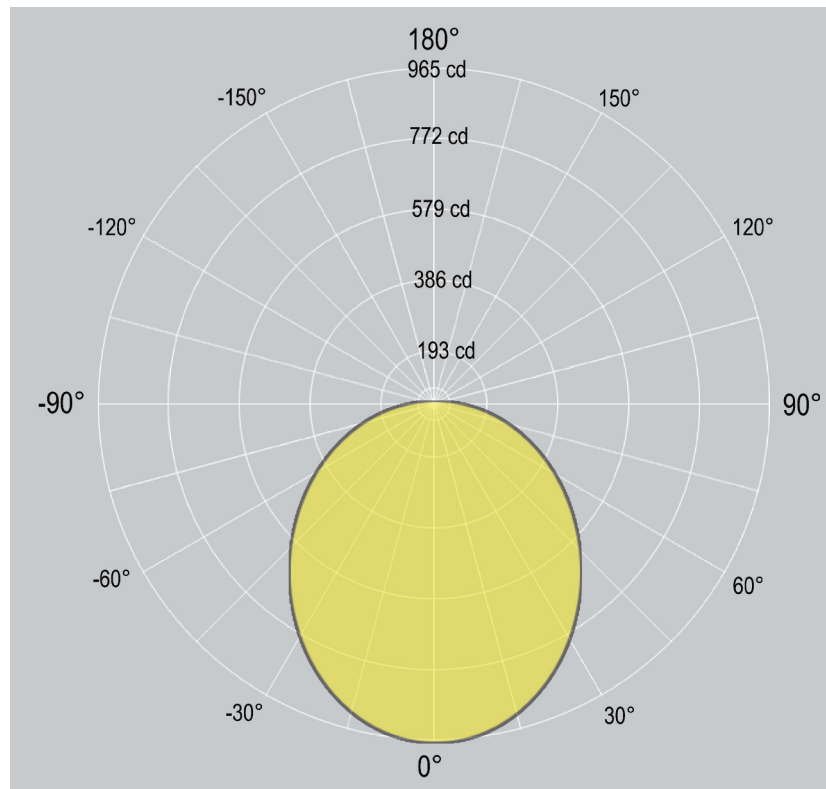
Suspended, Wall, Surface

**LIGHT
FORMS**

Dimensions



Distribution



IP66L3.5 & IP54L3.5

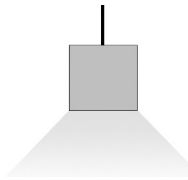
Suspended, Wall, Surface

LIGHT FORMS

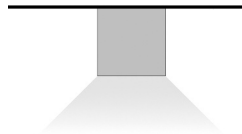
1. Base Model

IP66L3.5-S	Suspended - IP66
IP66L3.5-WM	Articulating Wall Mount - IP66
IP66L3.5-SM	Surface Mounted (Indirect) - IP66
IP54L3.5-S	Suspended - IP54
IP54L3.5-WM	Articulating Wall Mount - IP54
IP54L3.5-SM	Surface Mounted (Indirect) - IP54

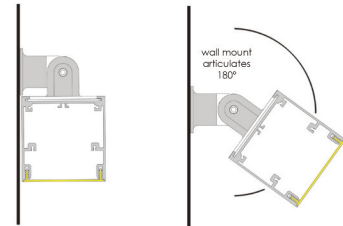
IP66L3.5-S & IP54L3.5-S
Suspended



IP66L3.5-SM & IP54L3.5-SM
Surface Mount



IP66L3.5-WM & IP54L3.5-WM
Articulating Wall Mount



2. Run Length

xxxM

1.5M maximum Separate fixtures can be joined end to end.

3. LED Lamping

	SINGLE ROW LED(DUAL ROW LED STRIP AVAILABLE)
STD - xxxK (example: STD-4000K)	Standard Output , LED 20W/M 2600 delivered lumen, 89 lm/W
HI - xxxK (example: HI-4000K)	High Output , LED 30W/M 3000 delivered lumen, 85 lm/W
	CCT: 3000K 3500K 4000K Option: 2700K 5000K 5700K 6500K
	Additional LED Options
CV - xxxK	Constant Voltage (for custom lengths) 24/12VDC Contact factory for detail
TW	Tunable White (2700K - 6500K) Contact factory for detail
RGBW	RGB+WHITE - 24/12VDC Contact factory for detail

4. Driver

0/1-10V	0/1-10V dimming
DALI	DALI dimming
NONDIM	Non-dimmable
OTHER	(Consult factory for options)

5. Finish

AL	Standard, natural aluminum
BK	Black powdercoat
WH	White powdercoat
Custom / ____	Custom powdercoat

6. Additional options

EM	1.5 hour Emergency Kit
MS	Motion sensor
Others	Contact factory

IP66L3.5 & IP54L3.5

Suspended, Wall, Surface

LIGHT FORMS

Housing

100% recyclable, extruded architectural grade T6063 aluminum

Emergency

Luminaires can be wired for emergency circuit and/or emergency battery backup. Consult factory for options.

Finish

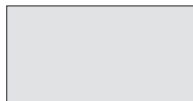
Standard finish is "Ultimate" aluminum - a smooth, clean and durable finish achieved from a deep-etch and two step clear anodizing process. White, Black, or custom powdercoat options are also available.



Suspension & Power



WH - WHITE



AL - ALUMINUM



Custom/____

Default canopy finish is to match fitting color, unless otherwise specified



BK - BLACK



ISO 9001:2015

China

Unit 3, Building A
No. 9 Phoenix Road
Torch Development Area
Zhongshan City
Guangdong China 528437

T +86 760 899 370 38
F +86 760 899 370 39
E ckirin@lightforms.com.cn

UK

Unit 7C Boeing Way
International Trading Estate
Middlesex
UB2 5LB

T +44 (0)20 8571 3785
F +44 (0)20 8090 3755
E ask@lightforms.com

India

353/2 Dr Hira Singh Road
Civil Lines
Ludhiana 141001
Punjab, India

T +91 98 7280 0488
E ajay@lightforms.com

Light Forms

Architectural Lighting
www.lightforms.com

Registered in England
No. 6750892
Registered Address
Unit 7C Boeing Way
International Trading Centre
Middlesex, UB2 5LB