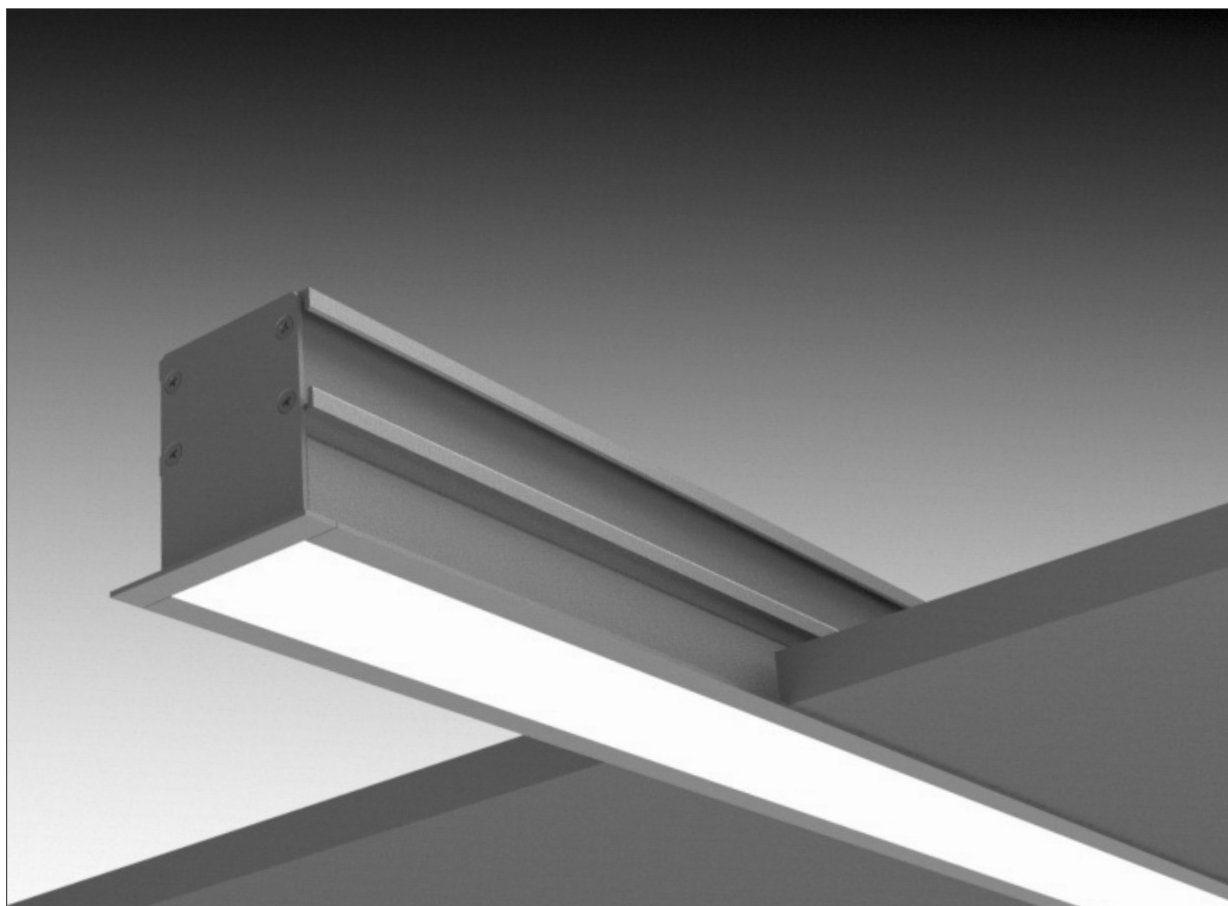


FIVE BOW RECESSED - FBRT

Recessed

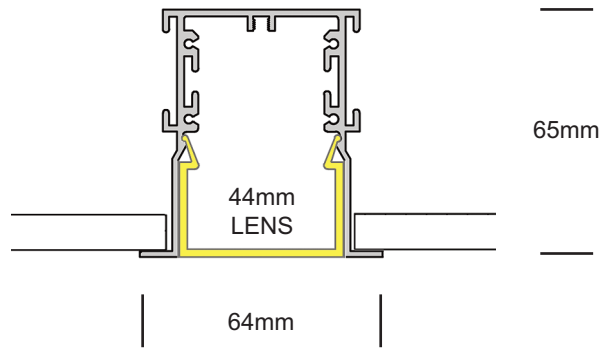


FIVE BOW RECESSED – FBRT

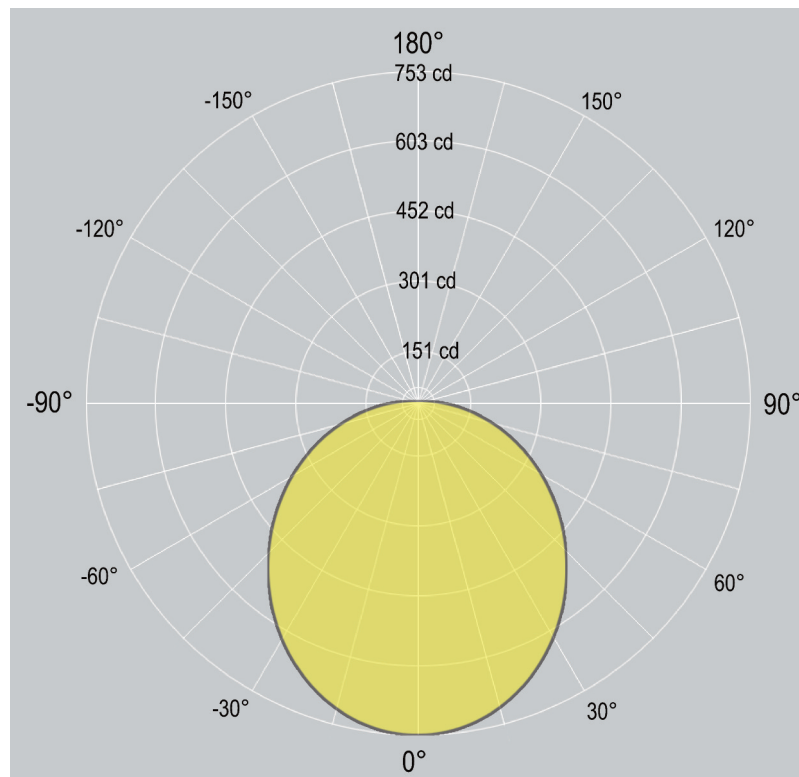
Recessed

**LIGHT
FORMS**

Dimensions



Distribution



FIVE BOW RECESSED – FBRT

Recessed

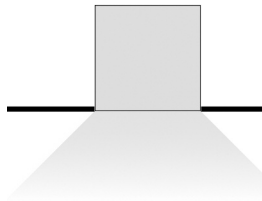
**LIGHT
FORMS**

1. Base Model

FBRT

Recessed

FBRT
Recessed



2. Run Length

Enter total linear length, (example: 6M)

3. LED Lamping

STD - **xxxxK** (example: STD-4000K)

Standard Output, LED 20W/M 2000 delivered lumen, 73 lm/W

HI - **xxxxK** (example: HI-4000K)

High Output, LED 30W/M 2400 delivered lumen, 69 lm/W

CCT: 3000K 3500K 4000K Option: 2700K 5000K 5700K 6500K

CV - **xxxxK**

Additional LED Options

Constant Voltage (for custom lengths) 24/12VDC

Contact factory for detail

TW

Tunable White (2700K - 6500K)

Contact factory for detail

RGBW

RGB+WHITE - 24/12VDC

Contact factory for detail

4. Driver

0/1-10V

0/1-10V dimming

DALI

DALI dimming

DMX

DMX dimming

NONDIM

Non-dimmable

OTHER

(Consult factory for options)

5. Finish

AL

Standard, natural aluminum

BK

Black powdercoat

WH

White powdercoat

Custom

Custom Color

6. Additional options

EM

1.5 hour Emergency Kit

MS

Motion sensor

OTHER

Contact Factory

FIVE BOW RECESSED – FBRT

Recessed

LIGHT FORMS

Housing

100% recyclable, extruded architectural grade T6063 aluminum

Emergency

Luminaires can be wired for emergency circuit and/or emergency battery backup.
Consult factory for options.

Options

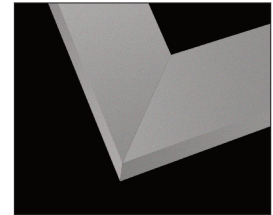
Mitered Corners

Consult factory for mitered corner angle options.

Finish

Standard finish is "Ultimate" aluminum - a smooth, clean and durable finish achieved from a deep-etch and two step clear anodizing process.

White, Black, Custom powdercoat options also available.



Mitered Corners



WH - WHITE



AL - ALUMINUM



BK - BLACK



Custom/____



ISO 9001:2015

China

Unit 3, Building A
No. 9 Phoenix Road
Torch Development Area
Zhongshan City
Guangdong China 528437

T +86 760 899 370 38
F +86 760 899 370 39
E ckirin@lightforms.com.cn

UK

Unit 7C Boeing Way
International Trading Estate
Middlesex
UB2 5LB

T +44 (0)20 8571 3785
F +44 (0)20 8090 3755
E ask@lightforms.com

India

353/2 Dr Hira Singh Road
Civil Lines
Ludhiana 141001
Punjab, India

T +91 98 7280 0488
E ajay@lightforms.com

Light Forms

Architectural Lighting
www.lightforms.com

Registered in England
No. 6750892
Registered Address
Unit 7C Boeing Way
International Trading Centre
Middlesex, UB2 5LB