

# MICRO-S

Suspended  
Wall  
Surface



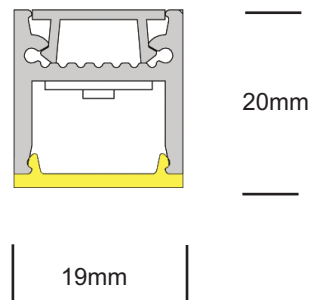
# MICRO-S

Suspended, Wall, Surface

# LIGHT FORMS

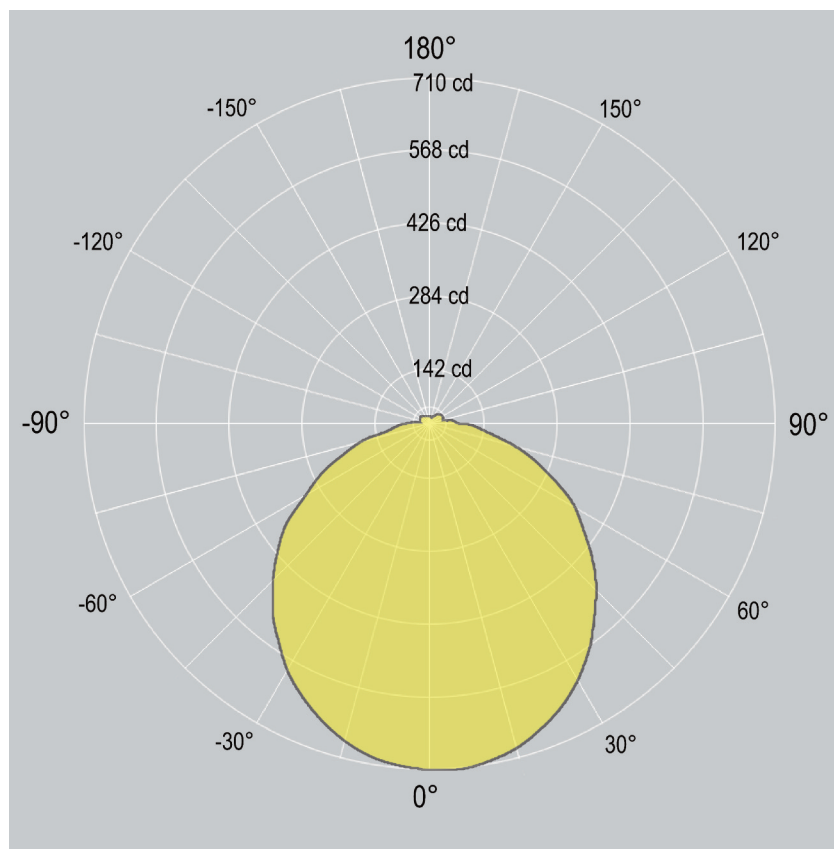
## Dimensions

---



## Distribution

---



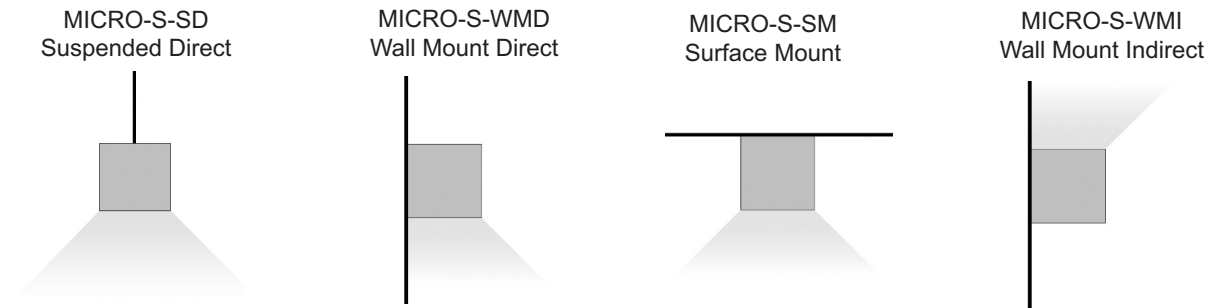
# MICRO-S

Suspended, Wall, Surface



## 1. Base Model

MICRO-S-SD	Suspended (Direct)
MICRO-S-WMI	Wall Mounted (Indirect)
MICRO-S-WMD	Wall Mounted (Direct)
MICRO-S-SM	Surface Mounted



## 2. Run Length

Enter total linear length, (example: 6M)

## 3. LED Lamping

STD - <b>xxxxK</b> (example: STD-4000K)	<b>Standard Output</b> , LED 20 W/M, 2000 delivered lm/M , 87lm/W @ 4000K
HI - <b>xxxxK</b> (example: HI-4000K)	<b>High Output</b> , LED 30 W/M, 2900 delivered lm/M, 83 lm/W @ 4000K
	<i>CCT: 3000K 3500K 4000K Option: 2700K 5000K 5700K 6500K</i>
	<b>Additional LED Options</b>
CV - <b>xxxxK</b>	<b>Constant Voltage</b> (for custom lengths) - 12Vdc/24Vdc <i>Contact factory for detail</i>
TW	<b>Tunable White (2700K - 6500K)</b> <i>Contact factory for detail</i>
RGBW - <b>xxxxK</b>	<b>Standard Output - RGB+WHITE</b> - 12Vdc/24Vdc <i>Contact factory for detail</i>

## 4. LED Driver (remote only)

0/1-10V	0/1-10V dimming
DALI	DALI dimming
DMX	DMX dimming
NONDIM	Non-dimmable
OTHER	(Consult factory for options)

## 5. Finish

AL	Standard, natural aluminum
BK	Black powdercoat
WH	White powdercoat
Custom	Custom Color

## 6. Additional options (Remote only)

EM	1.5H Emergency Kit - Remote
MS	Motion sensor
Others	Contact factory

# MICRO-S

Suspended, Wall, Surface

# LIGHT FORMS

## Housing

100% recyclable, extruded architectural grade T6063 aluminum

## Emergency

Luminaires can be wired for emergency circuit and/or emergency battery backup. Consult factory for options.

## Finish

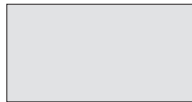
Standard finish is "Ultimate" aluminum - a smooth, clean and durable finish achieved from a deep-etch and two step clear anodizing process. White, Black, Custom powdercoat options also available.



Suspension & Power



WH - WHITE



AL - ALUMINUM



BK - BLACK



CUSTOM/\_\_\_

*Default canopy finish is to match fitting color, unless otherwise specified*



**CB**



ISO 9001:2015

### China

Unit 3, Building A  
No. 9 Phoenix Road  
Torch Development Area  
Zhongshan City  
Guangdong China 528437

T +86 760 899 370 38  
F +86 760 899 370 39  
E [ckirin@lightforms.com.cn](mailto:ckirin@lightforms.com.cn)

### UK

Unit 7C Boeing Way  
International Trading Estate  
Middlesex  
UB2 5LB

T +44 (0)20 8571 3785  
F +44 (0)20 8090 3755  
E [ask@lightforms.com](mailto:ask@lightforms.com)

### India

353/2 Dr Hira Singh Road  
Civil Lines  
Ludhiana 141001  
Punjab, India

T +91 98 7280 0488  
E [ajay@lightforms.com](mailto:ajay@lightforms.com)

### Light Forms

Architectural Lighting  
[www.lightforms.com](http://www.lightforms.com)

Registered in England  
No. 6750892  
Registered Address  
Unit 7C Boeing Way  
International Trading Centre  
Middlesex, UB2 5LB