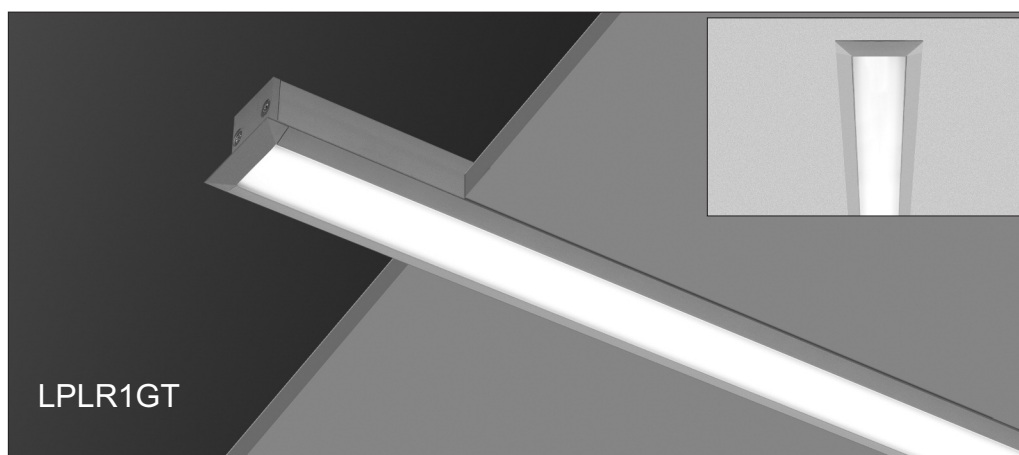
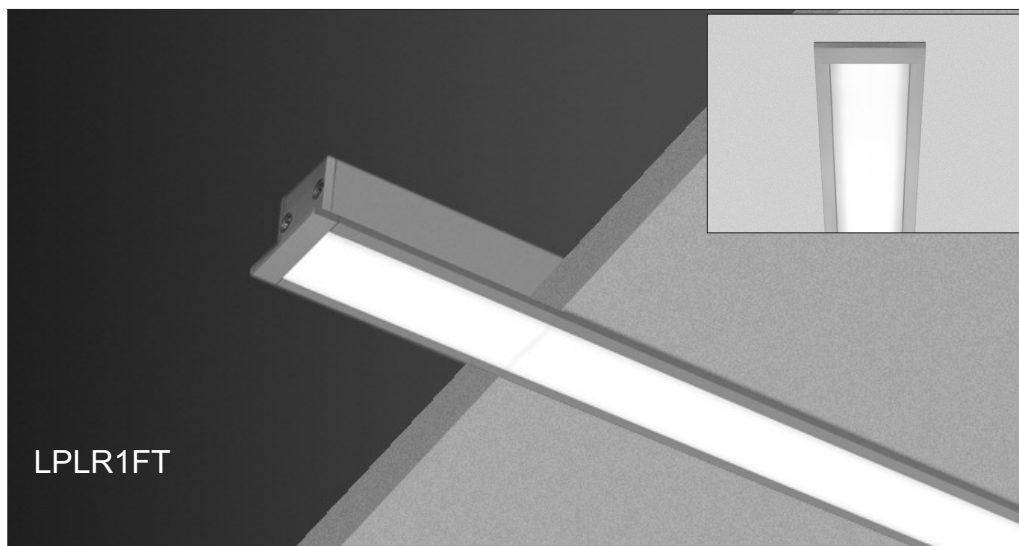


# LIGHTPLANE 1 RECESSED

Recessed with Flat Trim - LPLR1FT & LPLR1T

Recessed with Tapered Trim - LPLR1GT

Recessed Trimless - LPLR1

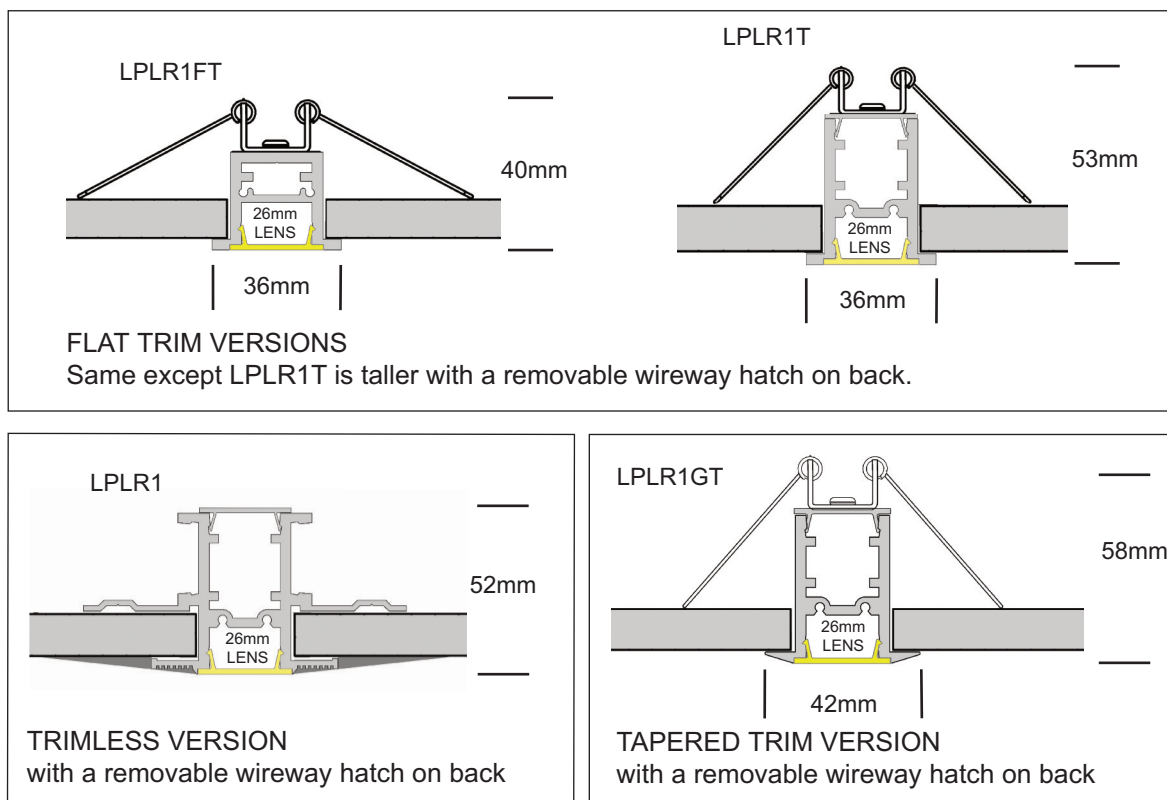


# LIGHTPLANE 1 RECESSED

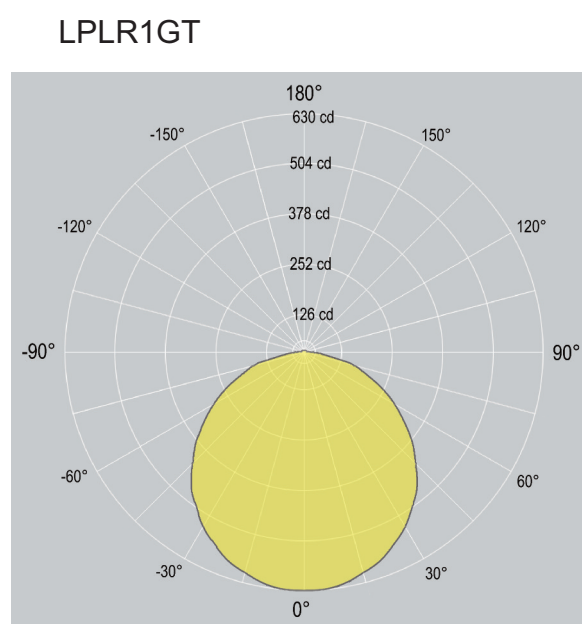
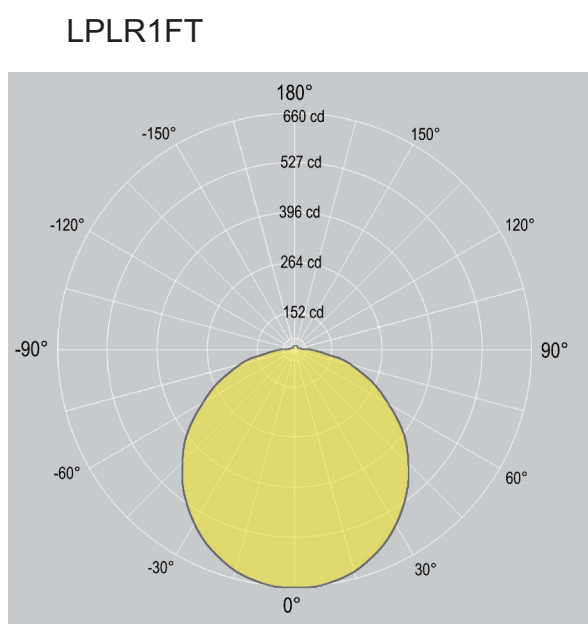
## LPLR1FT, LPLR1T, LPLR1, LPLR1GT

Recessed

### Dimensions



### Distribution



# LIGHTPLANE 1 RECESSED

## LPLR1FT, LPLR1T, LPLR1, LPLR1GT

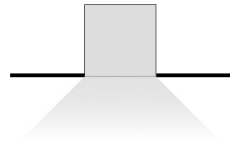


Recessed

### 1. Base Model

LPLR1FT	Recessed - (Flat Trim)
LPLR1T	Recessed - (Flat Trim with removable wireway hatch)
LPLR1GT	Recessed - (Tapered Trim with removable wireway hatch)
LPLR1	Recessed - (Trimless)

LPLR1FT & LPLR1GT  
Recessed



### 2. Run Length

Enter total linear length, (example: 6M)

### 3. LED Lamping

#### LPLR1FT

STD - <b>xxxxK</b> (example: STD-4000K)	<b>Standard Output</b> , LED 20 W/M, 1900 delivered lm/M , 66 lm/W @ 4000K
HI - <b>xxxxK</b> (example: HI-4000K)	<b>High Output</b> , LED 30 W/M, 2200 delivered lm/M, 63 lm/W @ 4000K

#### LPLR1GT

STD - <b>xxxxK</b> (example: STD-4000K)	<b>Standard Output</b> , LED 20 W/M, 1800 delivered lm/M , 76 lm/W @ 4000K
HI - <b>xxxxK</b> (example: HI-4000K)	<b>High Output</b> , LED 30 W/M, 2500 delivered lm/M, 72 lm/W @ 4000K

CCT: 3000K 3500K 4000K Option: 2700K 5000K 5700K 6500K

#### Additional LED Options

CV - <b>xxxxK</b>	<b>Constant Voltage</b> (for custom lengths) - 12Vdc/24Vdc <i>Contact factory for detail</i>
TW	<b>Tunable White (2700K - 6500K)</b> <i>Contact factory for detail</i>
RGBW - <b>xxxxK</b>	<b>Standard Output - RGB+WHITE</b> - 12Vdc/24Vdc <i>Contact factory for detail</i>

### 4. LED Driver (remote only)

0/1-10V	0/1-10V dimming
DALI	DALI dimming
DMX	DMX dimming
NONDIM	Non-dimmable
OTHER	(Consult factory for options)

### 5. Finish

AL	Standard, natural aluminum
BK	Black powdercoat
WH	White powdercoat
Custom	Custom Color

### 6. Additional options (remote only)

EM	1.5 Hour Emergency Kit
MS	Motion sensor
OTHERS	Contact Factory

# LIGHTPLANE 1 RECESSED

## LPLR1FT, LPLR1T, LPLR1, LPLR1GT

Recessed

# LIGHT FORMS

---

### Housing

100% recyclable, extruded architectural grade T6063 aluminum

### Emergency

Luminaires can be wired for emergency circuit and/or emergency battery backup.  
Consult factory for options.

### Options

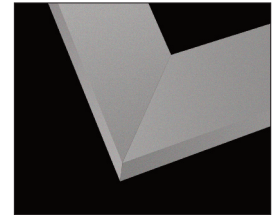
Mitered Corners

Consult factory for mitered corner angle options.

### Finish

Standard finish is "Ultimatte" aluminum - a smooth, clean and durable finish achieved from a deep-etch and two step clear anodizing process.

White, Black, Custom powdercoat options also available.



Mitered Corners



WH - WHITE



AL - ALUMINUM



BK - BLACK



Custom/\_\_\_\_



ISO 9001:2015

#### China

Unit 3, Building A  
No. 9 Phoenix Road  
Torch Development Area  
Zhongshan City  
Guangdong China 528437

T +86 760 899 370 38  
F +86 760 899 370 39  
E ckirin@lightforms.com.cn

#### UK

Unit 7C Boeing Way  
International Trading Estate  
Middlesex  
UB2 5LB

T +44 (0)20 8571 3785  
F +44 (0)20 8090 3755  
E ask@lightforms.com

#### India

353/2 Dr Hira Singh Road  
Civil Lines  
Ludhiana 141001  
Punjab, India

T +91 98 7280 0488  
E ajay@lightforms.com

#### Light Forms

Architectural Lighting  
www.lightforms.com

Registered in England  
No. 6750892  
Registered Address  
Unit 7C Boeing Way  
International Trading Centre  
Middlesex, UB2 5LB