

SLIMLINE 1.25 - SL1.25

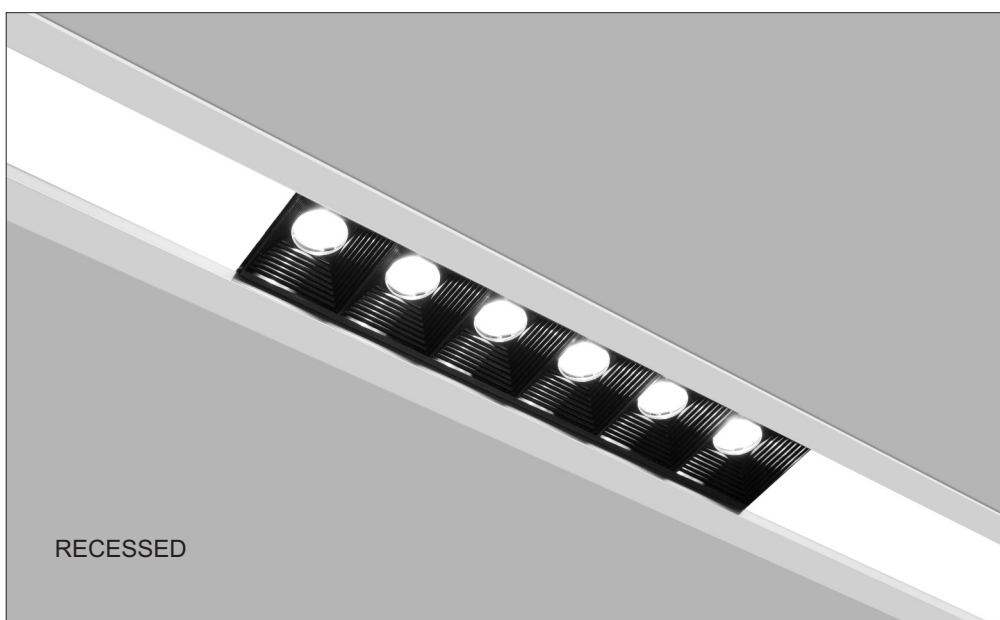
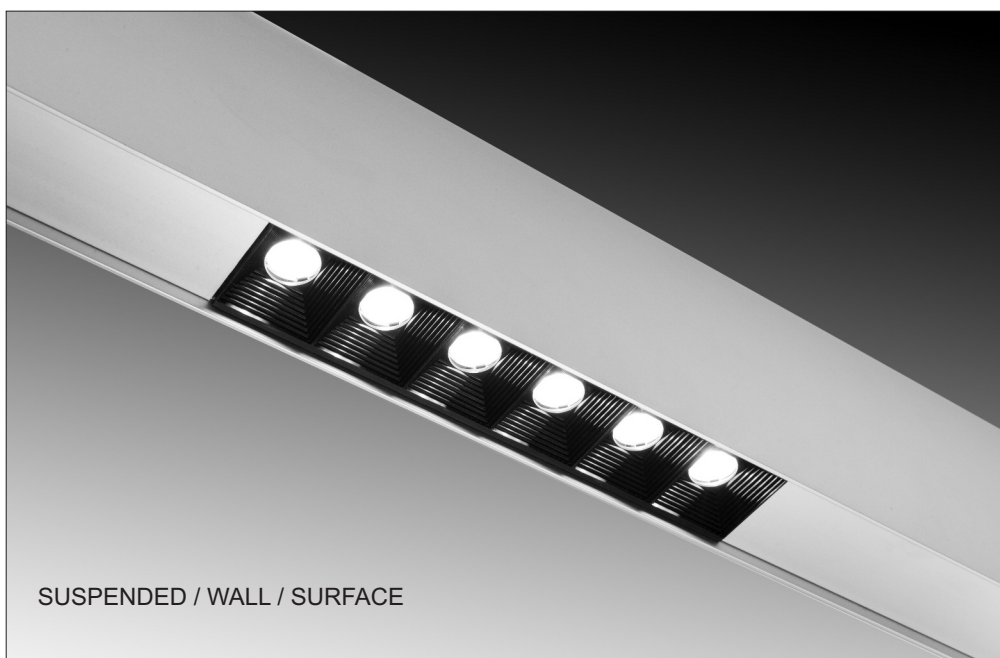
Indirect / Direct Linear with Spots

Suspended

Wall

Surface

Recessed

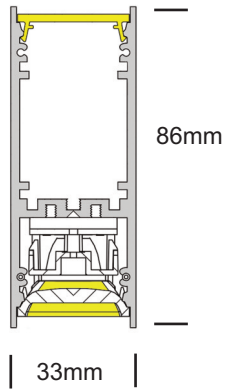


SLIMLINE 1.25 - SL1.25

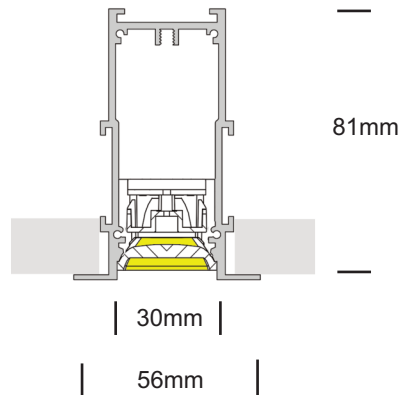
Suspended, Wall (Indirect / Direct), Surface or Recessed (Direct only)

Dimensions

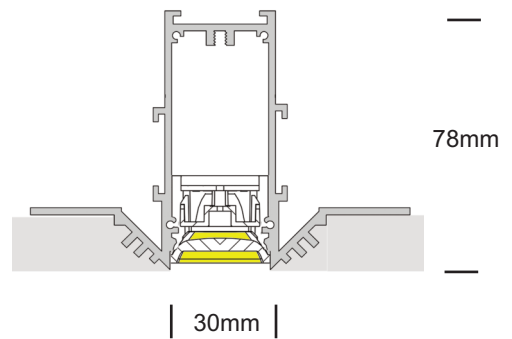
Suspended
SL1.25



Recessed Trim
SL1.25-RT

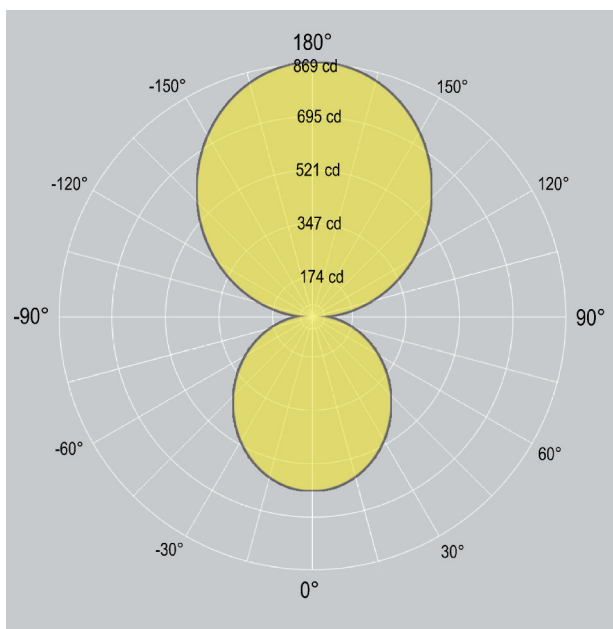


Recessed Trimless
SL1.25-R

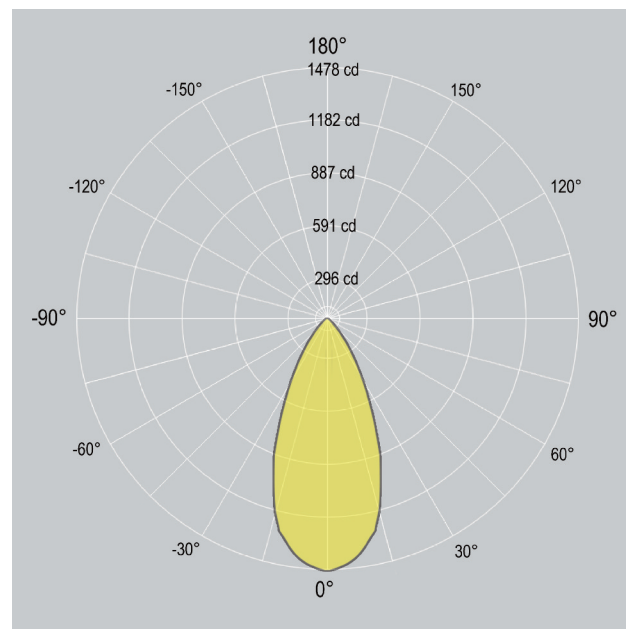


Distribution

Direct and Indi-
rect with IENS



Direct with SPOT
ONLY



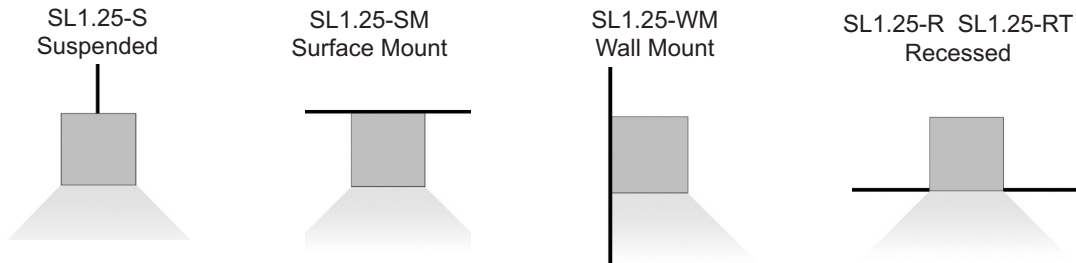
SLIMLINE 1.25 - SL1.25

Suspended, Wall (Indirect / Direct), Surface or Recessed (Direct only)



1. Base Model

SL1.25-S	Suspended
SL1.25-WM	Wall Mounted
SL1.25-SM	Surface Mounted (Direct only)
SL1.25-RT	Recessed with Trim
SL1.25-R	Recessed Trimless



2. Run Length/Size

Enter total linear length, (example: 6M)

3. DIRECT Light Configuration - (spot clusters / linear LED / spacer plate combinations)

3L	3-spot clusters, with blank aluminum spacer plate, (510 lm, 6W)
6L	6-spot clusters, with blank aluminum spacer plate, (972 lm, 13W)
3LD	3-spot clusters, with linear LED light, (510 lm, 6W + Linear LED)
6LD	6-spot clusters, with linear LED light, (972 lm, 13W + Linea LED)
COND	no spots, with continuous direct linear LED light, (See performance below)



4. Quantity of spot clusters in the run - leave blank if choosing COND above

?CLUSTERS State the quantity of lens clusters.
Example "4CLUSTER" for four clusters of 3L, 6L, 3LD, or 6LD

5. Spot Lens Beam - leave blank if choosing COND above

15BEAM	15° Beam Spot
24BEAM	24° Beam Spot
38BEAM	38° Beam Spot

SLIMLINE 1.25 - SL1.25

Suspended, Wall (Indirect / Direct), Surface or Recessed (Direct only)



6. Optional ILinear - (leave blank if no indirect linear LED is needed)(direct and indirect)

INDSTD - xxxxK	Standard Output , LED 2x20W/M, 3400 delivered lm/M, 70 lm/W @ 4000K
-----------------------	--

INDHI - xxxxK	High Output , LED 2x30W/M, 4700 delivered lm/M, 67 lm/W @ 4000K
----------------------	--

CCT: 3000K 3500K 4000K Option: 2700K 5000K 5700K 6500K

Additional LED Options

IND- CV	Constant Voltage (for custom lengths) - 12Vdc/24Vdc
---------	---

Contact factory for detail

IND- TW	Tunable White (2700K -6500K)
---------	------------------------------

Contact factory for detail

IND- RGBW	RGB+WHITE - 12Vdc/24Vdc
-----------	-------------------------

Contact factory for detail

8. LED Driver

0/1-10V	0/1-10V dimming
---------	-----------------

DALI	DALI dimming
------	--------------

DMX	DMX dimming - remote only
-----	---------------------------

NONDIM	Non-dimmable
--------	--------------

OTHER	(Consult factory for options)
-------	-------------------------------

9. Finish

AL	Standard, natural aluminum
----	----------------------------

BK	Black powdercoat
----	------------------

WH	White powdercoat
----	------------------

Custom	Custom Color
--------	--------------

10. Additional options

EM	1.5Hour Emergency Kit
----	-----------------------

MS	Motion Sensor
----	---------------

Others	Contact Factory
--------	-----------------

SLIMLINE 1.25 - SL1.25

Suspended, Wall (Indirect / Direct), Surface or Recessed (Direct only)

LIGHT FORMS

Housing

100% recyclable, extruded architectural grade T6063 aluminum

Emergency

Luminaires can be wired for emergency circuit and/or emergency battery backup. Consult factory for options.

Options

Mitered Corners

Consult factory for mitered corner angle options.

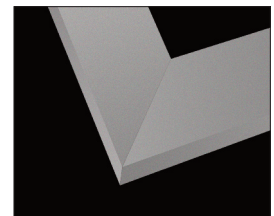
Finish

Standard finish is "Ultimate" aluminum - a smooth, clean and durable finish achieved from a deep-etch and two step clear anodizing process.

White, Black, Custom powdercoat options also available.



Suspension & Power



Mitered Corners



WH - WHITE



AL - ALUMINUM



BK - BLACK



Custom / ____

Default canopy finish is to match fitting color, unless otherwise specified



ISO 9001:2015

China

Unit 3, Building A
No. 9 Phoenix Road
Torch Development Area
Zhongshan City
Guangdong China 528437

T +86 760 899 370 38
F +86 760 899 370 39
E ckirin@lightforms.com.cn

UK

Unit 7C Boeing Way
International Trading Estate
Middlesex
UB2 5LB

T +44 (0)20 8571 3785
F +44 (0)20 8090 3755
E ask@lightforms.com

India

353/2 Dr Hira Singh Road
Civil Lines
Ludhiana 141001
Punjab, India

T +91 98 7280 0488
E ajay@lightforms.com

Light Forms

Architectural Lighting
www.lightforms.com

Registered in England
No. 6750892
Registered Address
Unit 7C Boeing Way
International Trading Centre
Middlesex, UB2 5LB