

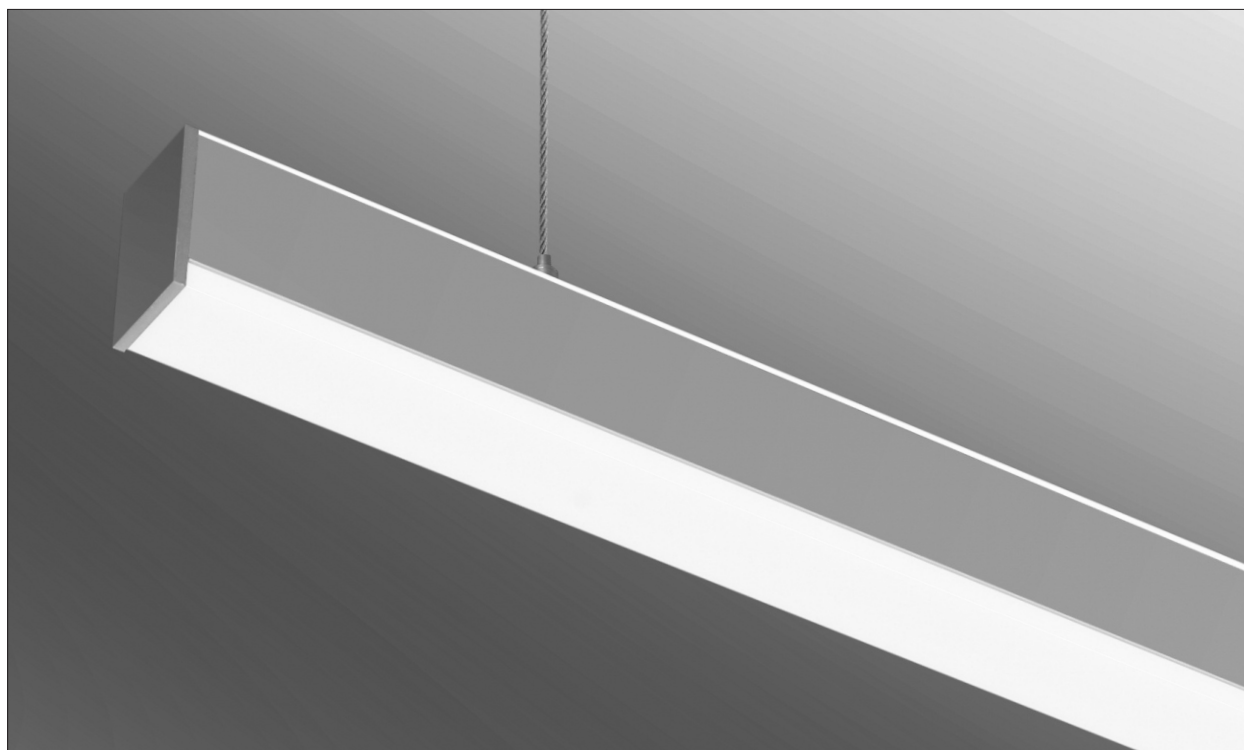
LIGHTPLANE 1H - LPL1H

Indirect / Direct

Suspended

Wall

Surface (direct only)



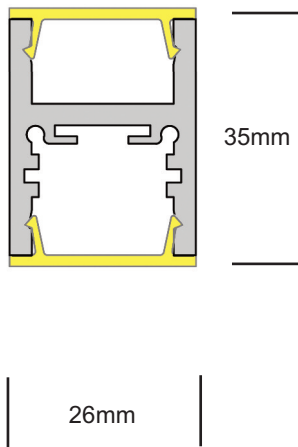
LIGHTPLANE 1H — LPL1H

Suspended, Wall, (Indirect / Direct) - Surface (Direct only)

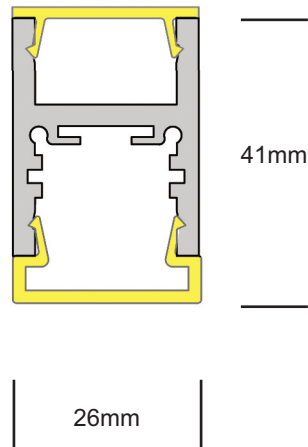
LIGHT FORMS

Dimensions

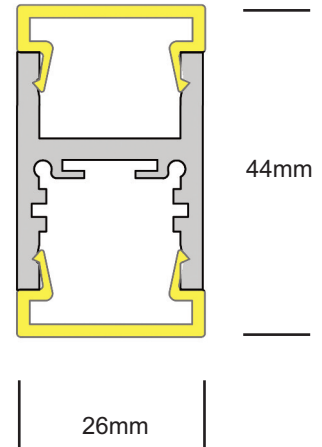
FLAT/FLAT LENS



FLAT/DROP LENS

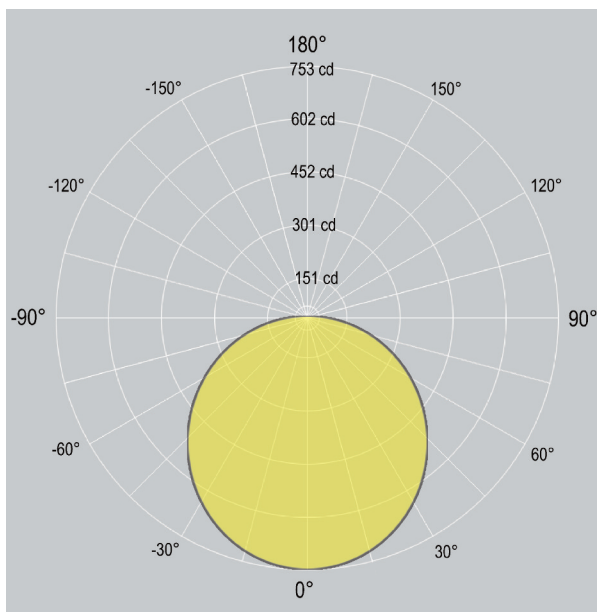


DROP/DROP LENS

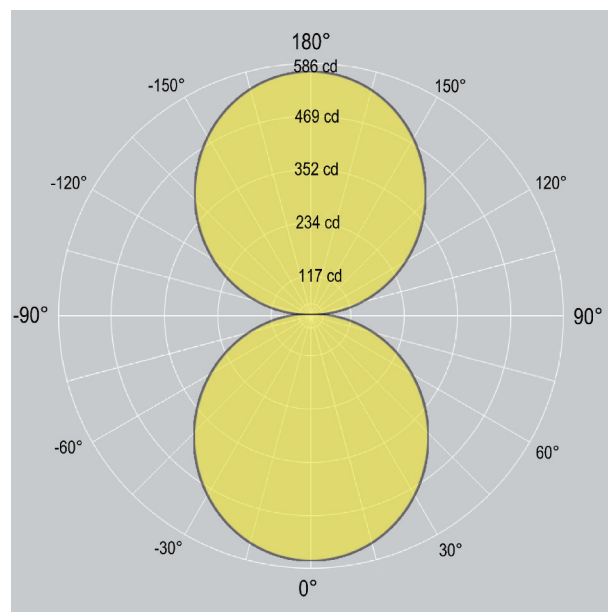


Distribution

DOWNLIGHT ONLY



UP AND DOWN



LIGHTPLANE 1H — LPL1H

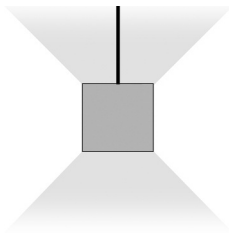
Suspended, Wall, (Indirect / Direct) - Surface (Direct only)

LIGHT FORMS

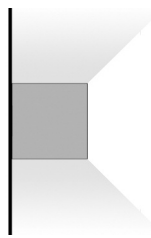
1. Base Model

| | |
|------------|---|
| LPL1H-SID | Suspended - Indirect/Direct |
| LPL1H-WMID | Wall Mounted - Indirect/Direct |
| LPL1H-SM | Surface Mounted (Direct only - snap clip - see below) |

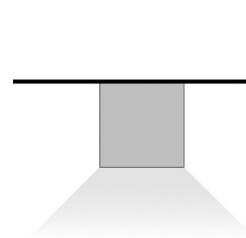
LPL1H-SID
Suspended Indirect/Direct



LPL1H-WMID
Wall Mount Indirect/Direct



LPL1H-SM
Surface Mount Direct



2. Run Length

Enter total linear length, (example: 6M)

3. LED Lamping (indirect and direct) - specify "NO-UP" for no uplight (data quoted for Flat Lens)

STD - **xxxxK** (example: STD-4000K) **Standard Output**, LED 2x20W/M 3350 delivered lm, 71 lm/W @ 4000K

HI - **xxxxK** (example: HI-4000K) **High Output**, LED 2x30W/M 4700 delivered lm, 67 lm/W @ 4000K

CCT: 3000K 3500K 4000K Option: 2700K 5000K 5700K 6500K

CV - **xxxxK**

Additional LED Options

Constant Voltage (for custom lengths) 24/12VDC

Contact factory for detail

TW

Tunable White (2700K - 6500K)

Contact factory for detail

RGBW

RGB+WHITE - 24/12VDC

Contact factory for detail

LIGHTPLANE 1H — LPL1H

Suspended, Wall, (Indirect / Direct) - Surface (Direct only)

**LIGHT
FORMS**

5. LED Driver (remote only)

| | |
|---------|-------------------------------|
| 0/1-10V | 0/1-10V dimming |
| DALI | DALI dimming |
| DMX | DMX dimming |
| NONDIM | Non-dimmable |
| OTHER | (Consult factory for options) |

6. Lens

| | |
|-------------|---|
| CV / FLAT | Aluminum Cover on top / FLAT Lens for downlight |
| CV / DROP | Aluminum Cover on top / DROP Lens for downlight |
| FLAT / FLAT | FLAT lens for uplight / FLAT lens for downlight |
| FLAT / DROP | FLAT lens for uplight / DROP lens for downlight |
| DROP / DROP | DROP lens for uplight / DROP lens for downlight |



Choose CV / FLAT or CV / DROP with LPL1HSM (surface mounted).

7. Finish

| | |
|--------|----------------------------|
| AL | Standard, natural aluminum |
| BK | Black powdercoat |
| WH | White powdercoat |
| Custom | Custom Color |

8. Additional options

| | |
|--------|------------------------|
| EM | 1.5 hour Emergency Kit |
| MS | Motion sensor |
| Others | Contact factory |

LIGHTPLANE 1H — LPL1H

Suspended, Wall, (Indirect / Direct) - Surface (Direct only)

LIGHT FORMS

Housing

100% recyclable, extruded architectural grade T6063 aluminum

Emergency

Luminaires can be wired for emergency circuit and/or emergency battery backup. Consult factory for options.

Options

Mitered Corners

Consult factory for mitered corner angle options.

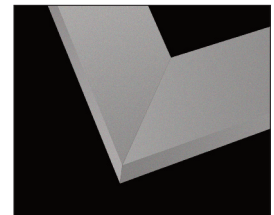
Finish

Standard finish is "Ultimate" aluminum - a smooth, clean and durable finish achieved from a deep-etch and two step clear anodizing process.

White, Black, Custom powdercoat options also available.



Canopy & Suspension



Mitered Corners



WH - WHITE



AL - ALUMINUM



BK - BLACK



Custom / ____

Default canopy finish is to match fitting color, unless otherwise specified



ISO 9001:2015

China

Unit 3, Building A
No. 9 Phoenix Road
Torch Development Area
Zhongshan City
Guangdong China 528437

T +86 760 899 370 38
F +86 760 899 370 39
E ckirin@lightforms.com.cn

UK

Unit 7C Boeing Way
International Trading Estate
Middlesex
UB2 5LB

T +44 (0)20 8571 3785
F +44 (0)20 8090 3755
E ask@lightforms.com

India

353/2 Dr Hira Singh Road
Civil Lines
Ludhiana 141001
Punjab, India

T +91 98 7280 0488
E ajay@lightforms.com

Light Forms

Architectural Lighting
www.lightforms.com

Registered in England
No. 6750892
Registered Address
Unit 7C Boeing Way
International Trading Centre
Middlesex, UB2 5LB