

# LIGHTPLANE 1S - LPL1S

Suspended (adjustable)

Wall

Surface



# LIGHTPLANE 1S — LPL1S

Suspended (Adjustable), Wall, Surface

**LIGHT  
FORMS**

---

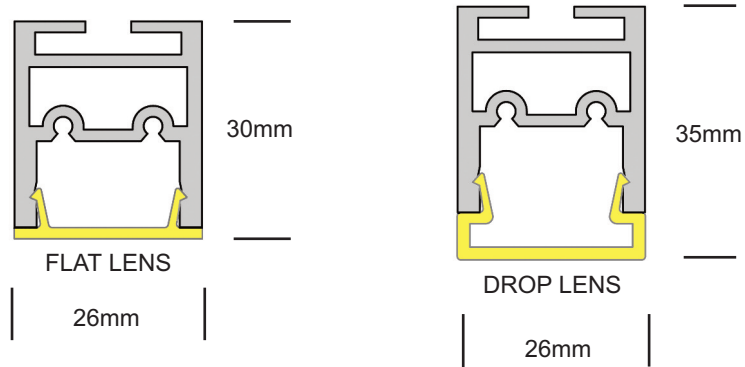


# LIGHTPLANE 1S — LPL1S

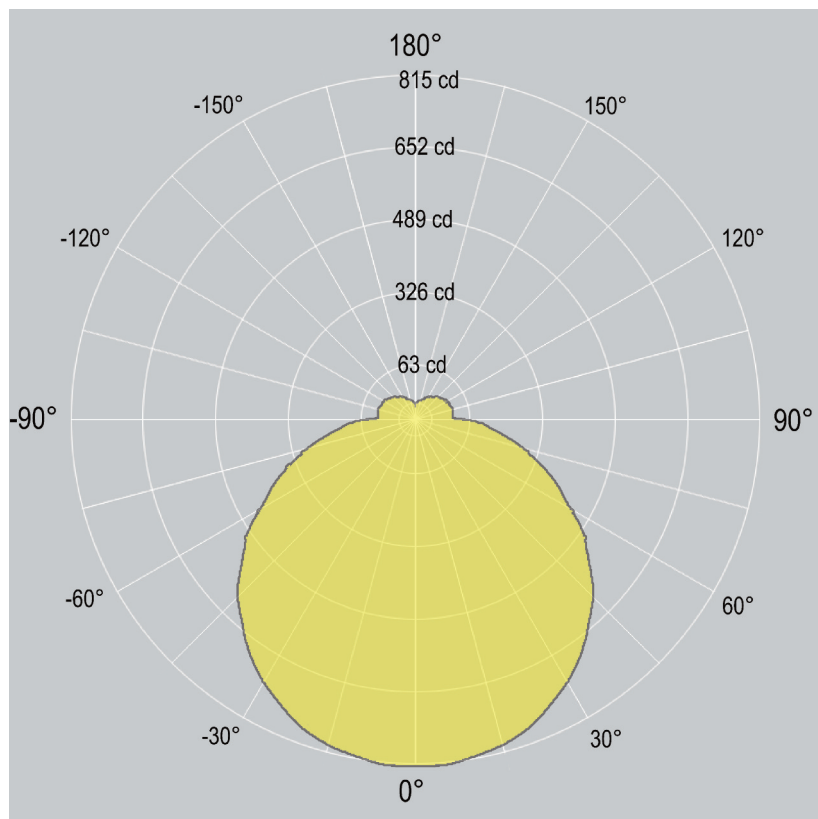
Suspended (Adjustable), Wall, Surface

# LIGHT FORMS

## Dimensions



## Distribution



# LIGHTPLANE 1S — LPL1S

Suspended (Adjustable), Wall, Surface

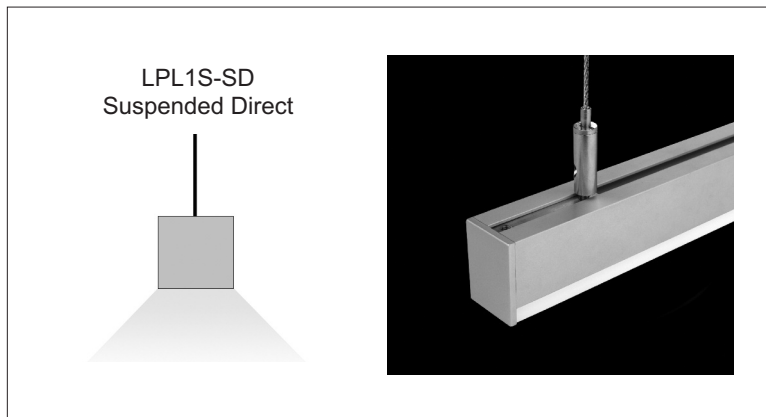
# LIGHT FORMS

## 1. Base Model

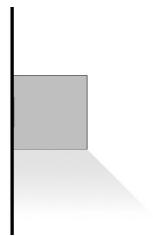
LPL1S-SD	Suspended Direct (with adjustable sliding suspension)
LPL1S-SM	Surface Mount
LPLS-WMD	Wall Mounted Direct
LPLS-WMI	Wall Mounted Indirect

## 2. Run Length

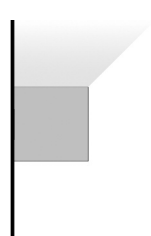
Enter total linear length, (example: 6M)



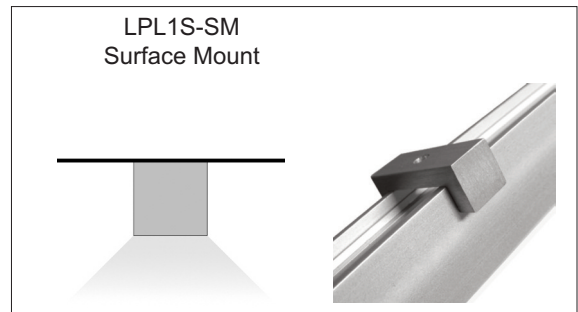
LPL1S-WMD  
Wall Mount Direct



LPL1S-WMI  
Wall Mount Indirect



LPL1S-SM  
Surface Mount



## 3. LED Lamping

STD - **xxxxK** (example: STD-4000K)

**Standard Output**, LED 20 W/M, 2000 delivered lm/M , 87lm/W @ 4000K

HI - **xxxxK** (example: HI-4000K)

**High Output**, LED 30 W/M, 2900 delivered lm/M, 83 lm/W @ 4000K

**CCT: 3000K 3500K 4000K Option: 2700K 5000K 5700K 6500K**

CV - **xxxxK**

### Additional LED Options

**Constant Voltage** (for custom lengths) - 12Vdc/24Vdc

Contact factory for detail

TW

**Tunable White (2700K - 6500K)**

Contact factory for detail

RGBW - **xxxxK**

**Standard Output - RGB+WHITE** - 12Vdc/24Vdc

Contact factory for detail

# LIGHTPLANE 1S — LPL1S

Suspended (Adjustable), Wall, Surface

**LIGHT  
FORMS**

## 4. LED Driver (remote only)

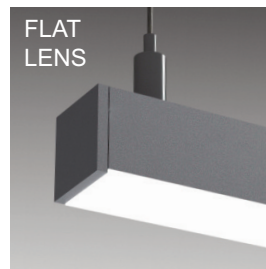
---

0/1-10V	0/1-10V dimming
DALI	DALI dimming
DMX	DMX dimming
NONDIM	Non-dimmable
OTHER	(Consult factory for options)

## 5. Lens

---

FLAT	Flat Lens
DROP	Drop Lens



## 6. Finish

---

AL	Standard, natural aluminum
BK	Black powdercoat
WH	White powdercoat
Custom	Custom Color

## 7. Additional options

---

EM	1.5 Hour Emergency Kit - remote
MS	Motion sensor
Others	Contact factory

# LIGHTPLANE 1S — LPL1S

Suspended (Adjustable), Wall, Surface

# LIGHT FORMS

---

## Housing

100% recyclable, extruded architectural grade T6063 aluminum

---

## Emergency

Luminaires can be wired for emergency circuit and/or emergency battery backup. Consult factory for options.

---

## Options

Mitered Corners

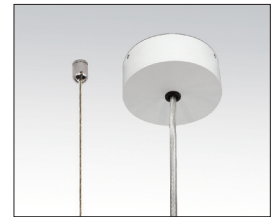
Consult factory for mitered corner angle options.

---

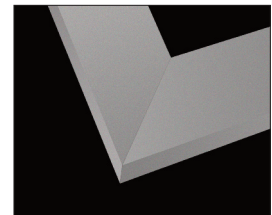
## Finish

Standard finish is "Ultimatte" aluminum - a smooth, clean and durable finish achieved from a deep-etch and two step clear anodizing process.

White, Black, Custom powdercoat options also available.



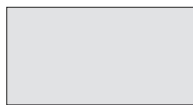
Suspension & Power



Mitered Corners



WH - WHITE



AL - ALUMINUM



BK - BLACK



Custom / \_\_\_\_

*Default canopy finish is to match fitting color, unless otherwise specified*

---

### China

Unit 3, Building A  
No. 9 Phoenix Road  
Torch Development Area  
Zhongshan City  
Guangdong China 528437

T +86 760 899 370 38  
F +86 760 899 370 39  
E ckirin@lightforms.com.cn

### UK

Unit 7C Boeing Way  
International Trading Estate  
Middlesex  
UB2 5LB

T +44 (0)20 8571 3785  
F +44 (0)20 8090 3755  
E ask@lightforms.com

### India

353/2 Dr Hira Singh Road  
Civil Lines  
Ludhiana 141001  
Punjab, India

T +91 98 7280 0488  
E ajay@lightforms.com

### Light Forms

Architectural Lighting  
www.lightforms.com

Registered in England  
No. 6750892  
Registered Address  
Unit 7C Boeing Way  
International Trading Centre  
Middlesex, UB2 5LB