

MOONRING ELLIPSE

MR3-E

Suspended
Surface

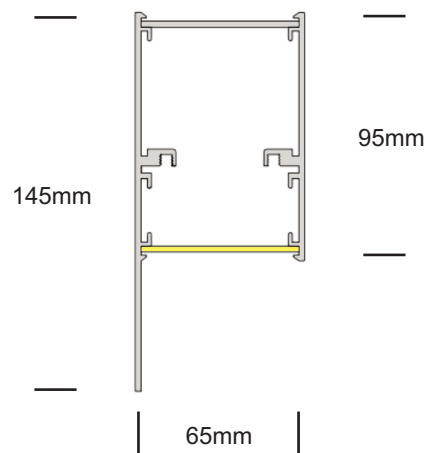


MOONRING ELLIPSE MR3-E

Suspended, Surface

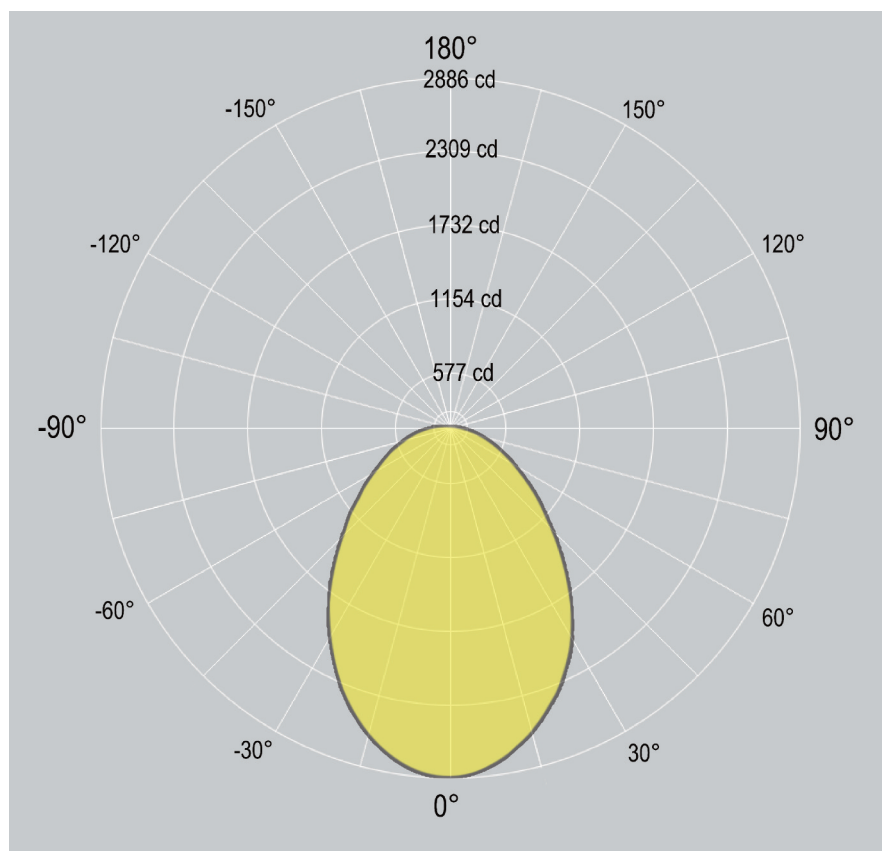
**LIGHT
FORMS**

Dimensions



Width customized

Distribution



MOONRING ELLIPSE MR3-E

Suspended, Surface

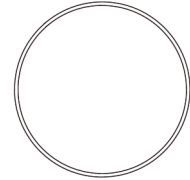
LIGHT FORMS

1. Base Model (for complex designs, each piece to be joined together)

CIRCLES

MR3-E-S-1.2M - CIRCLE	1.2M Diameter - Suspended Circle
MR3-E-SM-1.2M - CIRCLE	1.2M Diameter - Surface Mounted Circle
MR3-E-S-1.5M - CIRCLE	1.5M Diameter - Suspended Circle
MR3-E-SM-1.5M - CIRCLE	1.5M Diameter - Surface Mounted Circle
MR3-E-S-1.8M - CIRCLE	1.8M Diameter - Suspended Circle
MR3-E-SM-1.8M - CIRCLE	1.8M Diameter - Surface Mounted Circle
MR3-E-S-2.4M - CIRCLE	2.4M Diameter - Suspended Circle
MR3-E-SM-2.4M - CIRCLE	2.4M Diameter - Surface Mounted Circle

CIRCLE



HALF CIRCLES

MR3-E-S-1.2M - HCIRCLE	1.2M Diameter - Suspended Half Circle
MR3-E-SM-1.2M - HCIRCLE	1.2M Diameter - Surface Mounted Half Circle
MR3-E-S-1.5M - HCIRCLE	1.5M Diameter - Suspended Half Circle
MR3-E-SM-1.5M - HCIRCLE	1.5M Diameter - Surface Mounted Half Circle
MR3-E-S-1.8M - HCIRCLE	1.8M Diameter - Suspended Half Circle
MR3-E-SM-1.8M - HCIRCLE	1.8M Diameter - Surface Mounted Half Circle
MR3-E-2.4M - HCIRCLE	2.4M Diameter - Suspended Half Circle
MR3-E-SM-2.4M - HCIRCLE	2.4M Diameter - Surface Mounted Half Circle

HALF CIRCLE



1/4 ARCS

MR3-E-1.2M - 1/4 ARC	1.2M Diameter - Suspended 1/4 ARC
MR3-E-SM-1.2M - 1/4 ARC	1.2M Diameter - Surface Mounted 1/4 ARC
MR3-E-S-1.5M - 1/4 ARC	1.5M Diameter - Suspended 1/4 ARC
MR3-E-SM-1.5M - 1/4 ARC	1.5M Diameter - Surface Mounted 1/4 ARC
MR3-E-S-1.8M - 1/4 ARC	1.8M Diameter - Suspended 1/4 ARC
MR3-E-SM-1.8M - 1/4 ARC	1.8M Diameter - Surface Mounted 1/4 ARC
MR3-E-S-2.4M - 1/4 ARC	2.4M Diameter - Suspended 1/4 ARC
MR3-E-SM-2.4M - 1/4 ARC	2.4M Diameter - Surface Mounted 1/4 ARC

1/4 ARC



STRAIGHT SECTIONS

MR3-E-S-.5M-STRAIGHT	.5M - Suspended - Straight Section
MR3-E-SM-.5M-STRAIGHT	.5M - Surface Mounted - Straight Section
MR3-E-S-1.5M-STRAIGHT	1.5M - Suspended - Straight Section
MR3-E-SM-1.5M-STRAIGHT	1.5M - Surface Mounted - Straight Section

STRAIGHT SECTIONS



MOONRING ELLIPSE MR3-E

Suspended, Surface



1. Base Model

MR3-E-S	Suspended
MR3-E-SM	Surface Mount



2. LED Lamping

STD - xxxxK (example: STD-4000K)	Standard Output , LED 20 W/M, 6300 delivered lm/1.2M diameter, 77 lm/W @ 4000K
HI - xxxxK (example: HI-4000K)	High Output , LED 30 W/M, 9500 delivered lm/1.2M diameter, 73 lm/W @ 4000K
	<i>CCT: 3000K 3500K 4000K Option: 2700K 5000K 5700K 6500K Dual Row LED strip available</i>
CV - xxxxK	Additional LED Options Constant Voltage (for custom lengths) - 12Vdc/24Vdc <i>Contact factory for detail</i>
TW	Tunable White (2700K - 6500K) <i>Contact factory for detail</i>
RGBW - xxxxK	Standard Output - RGB+WHITE - 12Vdc/24Vdc <i>Contact factory for detail</i>

3. LED Driver - (integral or remote only - depending on fixture diameter, and driver used)

0/1-10V	0/1-10V dimming
DALI	DALI dimming
NONDIM	Non-dimmable
OTHER	(Consult factory for options)

4. Finish

SL	Silver Powdercoat
BK	Black powdercoat
WH	White powdercoat
Custom	Custom Color

5. Additional options - (integral or remote only - depending on fixture diameter, and option used)

EM	1.5 Hour Emergency Kit
MS	Motion Sensor
Others	Contact factory

MOONRING ELLIPSE MR3-E

Suspended, Surface

LIGHT FORMS

Housing

100% recyclable, extruded architectural grade T6063 aluminum

Emergency

Luminaires can be wired for emergency circuit and/or emergency battery backup.
Consult factory for options.

Finish

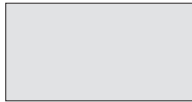
Standard finish is SILVER powdercoat.
White, Black, or custom powdercoat options are also available.



Suspension & Power



WH - WHITE



SL - SILVER



BK - BLACK



Custom/_____

*Default canopy finish
is to match fitting color,
unless otherwise
specified*



ISO 9001:2015

China

Unit 3, Building A
No. 9 Phoenix Road
Torch Development Area
Zhongshan City
Guangdong China 528437

T +86 760 899 370 38
F +86 760 899 370 39
E ckirin@lightforms.com.cn

UK

Unit 7C Boeing Way
International Trading Estate
Middlesex
UB2 5LB

T +44 (0)20 8571 3785
F +44 (0)20 8090 3755
E ask@lightforms.com

India

353/2 Dr Hira Singh Road
Civil Lines
Ludhiana 141001
Punjab, India

T +91 98 7280 0488
E ajay@lightforms.com

Light Forms

Architectural Lighting
www.lightforms.com

Registered in England
No. 6750892
Registered Address
Unit 7C Boeing Way
International Trading Centre
Middlesex, UB2 5LB